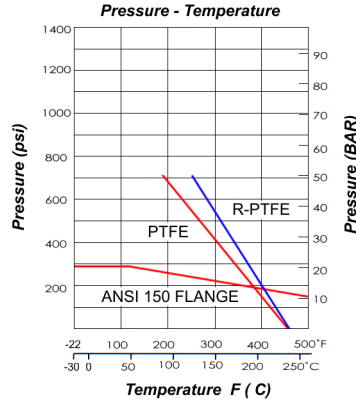


ANSI CLASS 150 FULL PORT STAINLESS STEEL BALL VALVE 6" to 10"

FIG. V-2F

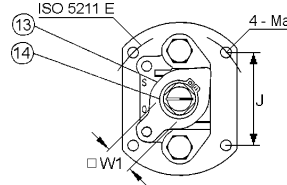
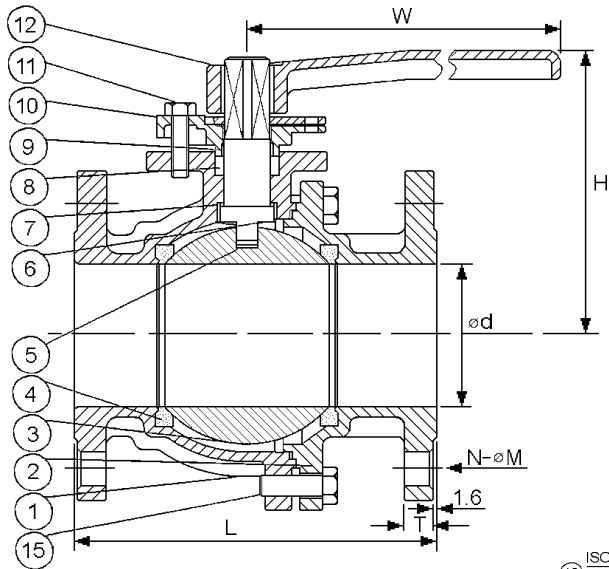


Compliance: API 608 & MSS SP-72
 Flange dimensions: ANSI B16.5
 Face-to-Face dimensions: ANSI B16.10
 Wall thickness: ANSI B16.34
 Inspection & Testing: API 598

Materials:

No.	Part Name	Specification
1	Body	ASTM A351-CF8M
2	Cap	ASTM A351-CF8M
3	Ball	ASTM A351-CF8M
4	Seats	PTFE
5	Stem *	SUS316
6	Gasket	PTFE
7	Thrust Washer	TFM 4215
8	Gland Packing	PTFE
9	Stem Bushing	PTFE
10	Gland	ASTM A315-CF8
11	Gland Bolt	SUS304
12	Handle	FCD
13	Stopper	SUS304
14	Snap Ring	SUS304
15	Bolt	SUS304

* Blow-out Proof Stem



		ANSI 150 lb	
		psi	MPa
Shell (by water)	by water	450	3.1
		315	2.17
	by air	85	0.6

Dimensions:

Size		ød	L		H		J	□W1	Ma	W	T	N-øM	E	ISO 5211	CV	Weight	
in	mm	mm	in	mm	in	mm	mm	mm	mm	mm	mm	mm	mm			lbs	kg
6"	150	150	15.5	394	9.7	247	89	24	M12	750	25.4	8-ø22	125	F12	5400	215	97.5
8"	200	200	18	457	12	305	100	32	M12	1000	28.6	8-ø22	125	F12	10,000	431	196
10"	250	250	21	533	12.87	327	100	32	M16	1000	30.2	12-ø25	140	F14	15,000	671	305