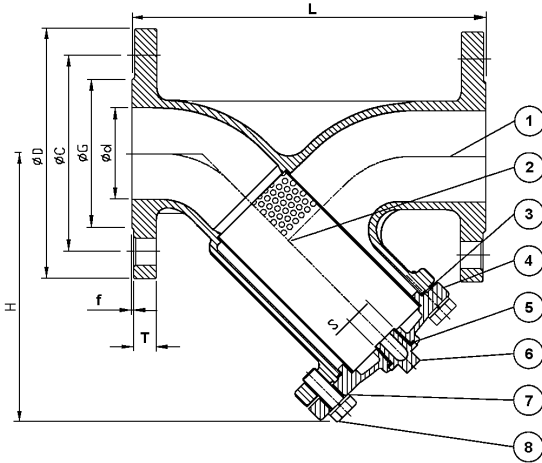
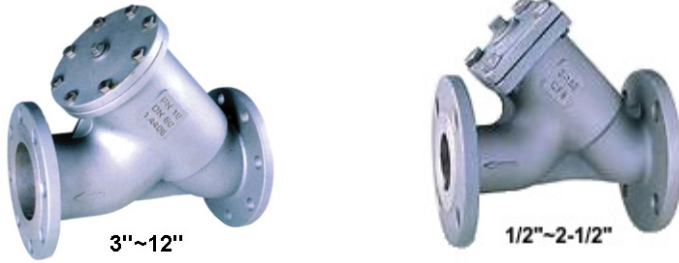


## CLASS 150 STAINLESS STEEL Y STRAINER

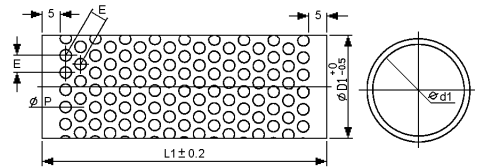
FIG. F150YS



Flange Dimensions: ANSI B16.5  
 Size range: 1/2" to 12"  
 Wall Thickness: ANSI B16.34  
 Pressure : 275 psi (WOG)  
 Max. Temperature: 350 °F

**Materials:**

No.	Part Name	Specification	
1	Body	CF8	CF8M
2	Screen	AISI 304	AISI 316
3	Gasket	PTFE	
4	Cover	CF8	CF8M
5	Gasket	PTFE	
6	Plug	CF8M	
7	Spring Washers	304SS	
8	Cover Bolt	304SS	



Shell	by water	ANSI 150
		450 psi 3.1 MPa
Shell	by air	85 psi 0.6 MPa

Screen Specification		
Dim	Size	Perforation
øP	1/2"~1 1/4"	1.5mm
øP	1 1/2"~12"	2mm

**Dimensions:**

Size		L		H		øD		L1	øD1	øC	øG	ød	T	f	S	E	Weights					
in	mm	in	mm	in	mm	in	mm	mm	mm	in	mm	in	mm	mm	in	mm	lb	kg				
1/2"	15	4.72	120	3.35	85	3.50	89	60	20	2.38	60.5	1.38	35	.59	15	.44	11.1	1.6	1/2"	2.5	4.4	2
3/4"	20	5.51	140	3.43	87	3.86	98	55	24	2.76	70.0	1.69	43	.79	20	.44	11.1	1.6	1/2"	2.5	5.1	2.3
1"	25	5.91	150	4.49	114	4.25	108	87	29	3.13	79.5	2.01	51	.98	25	.44	11.1	1.6	1/2"	2.5	6.2	2.8
1 1/2"	40	7.48	190	5.31	135	5.0	127	100	43	3.88	98.5	2.87	73	1.57	40	.56	14.3	1.6	1/2"	3	10.3	4.7
2"	50	8.27	210	6.10	155	5.98	152	103	52	4.74	120.5	3.62	92	1.97	50	.63	15.9	1.6	1/2"	3	16	7.3
2 1/2"	65	9.84	250	7.44	189	7.01	178	135	68	5.49	139.5	4.13	105	2.56	65	.69	17.5	1.6	1/2"	3	24	10.9
3"	80	11.02	280	7.87	200	7.48	190	152	85	6.0	152.5	5.0	127	3.15	80	.75	19.1	1.6	1/2"	3	33	14.8
4"	100	13.39	340	9.13	232	9.02	229	158	105	7.5	190.5	6.18	157	3.94	100	.94	23.9	1.6	3/4"	3	51	23.2
5"	125	14.96	380	10.78	274	10.0	254	220	131	8.5	216.0	7.32	186	4.92	125	.94	23.9	1.6	3/4"	3	66	29.9
6"	150	16.54	420	12.83	326	10.98	279	245	156	9.51	241.5	8.5	216	5.91	150	1.0	25.4	1.6	3/4"	3	99	44.9
8"	200	19.69	500	15.63	397	13.5	343	300	206	11.75	298.5	10.63	270	7.87	200	1.13	28.6	1.6	3/4"	3	156	71
10"	250	28.74	730	20.16	512	15.98	406	500	258	14.25	362.0	12.79	324	9.84	250	1.19	30.2	1.6	3/4"	3	268	122
12"	300	33.46	850	22.13	562	19.02	483	545	318	17.01	432.0	15.0	381	11.81	300	1.25	31.8	1.6	3/4"	3	363	165