

ANSI CLASS 150 STAINLESS STEEL SWING CHECK VALVE

FIG. 150SC

ANSI Class 150, Flanged ends, Bolted cover, 316 Stainless steel body & trim.

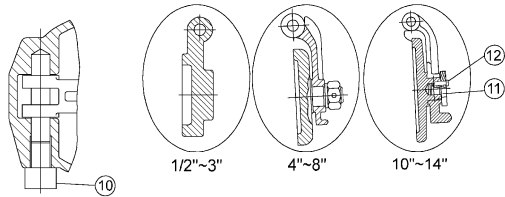
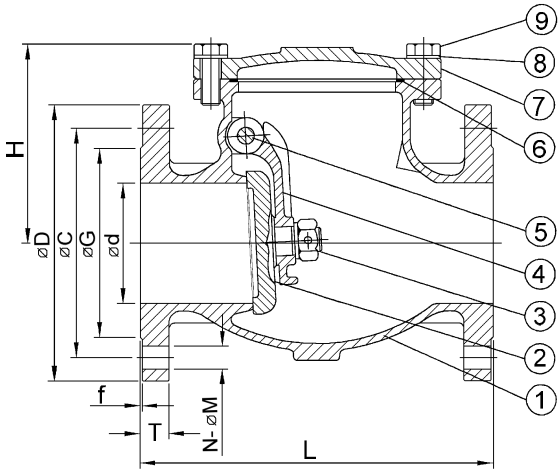


Compliance: API 603 & MSS SP-42
 Flange dimensions: ANSI B16.5
 Face-to-Face dimensions: ANSI B16.10
 Wall thickness: ANSI B16.34
 Inspection & Test: API 598

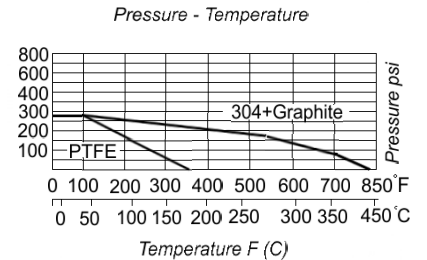
Materials:

No.	Part Name	Specification
1	Body	ASTM A351-CF8M
2	Disc	ASTM A351-CF8M
3	Nut	316SS
4	Arm Hinge	ASTM A351-CF8M
5	Hinge Pin	316SS
6	Gasket	* PTFE / 304SS + Graphite
7	Bonnet	ASTM A351-CF8M
8	Spring Washers	304SS
9	Bonnet Bolt	304SS
10	Bolt	304SS
11	Disc Cap	ASTM A351-CF8M
12	Bolt	304SS

*8" & up: Gasket 304SS + Graphite



Shell (by water)		ANSI 150 lb
		450 psi 3.1 MPa
Seat	by water	315 psi 2.2 MPa
		by air



Dimensions:

Size		L		H		øC	øG	ød	T	øD	f	N-øM	CV	Weight	
in	mm	in	mm	in	mm	mm	mm	mm	mm	mm	mm	mm		lb	kg
1"	25	5.0	127	2.56	64	79.5	51	25	11.1	108	1.6	4-ø16	48	5.59	2.54
1½"	40	6.50	165	2.95	75	98.5	73	40	14.3	127	1.6	4-ø16	55	10.3	4.68
2"	50	8.00	203	3.82	97	120.5	92	50	15.9	152	1.6	4-ø19	76	17.23	7.83
2½"	65	8.50	216	4.37	111	139.5	105	65	17.5	178	1.6	4-ø19	108	25.45	11.57
3"	80	9.50	241	4.72	120	152.5	127	80	19.1	190	1.6	4-ø19	149	32.23	14.65
4"	100	11.50	292	6.38	162	190.5	157	100	23.9	229	1.6	8-ø19	280	61.71	28.05
6"	150	14.00	356	7.99	203	241.5	216	150	25.4	279	1.6	8-ø22	480	103.49	47.04
8"	200	19.50	495	9.29	236	298.5	270	200	28.6	343	1.6	8-ø22	770	167.2	76
10"	250	24.50	622	11.89	302	362	324	250	30.2	406	1.6	12-ø25	1300	295.55	134.34
12"	300	27.50	698	13.39	340	432	381	300	31.8	483	1.6	12-ø25	1678	429.88	195.4