



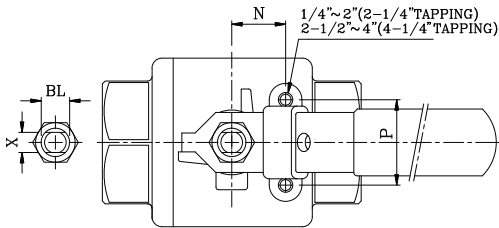
CSA / CGA 3.16 Certified - Stainless Steel Full Port Ball Valves

ASME B16.33-2002

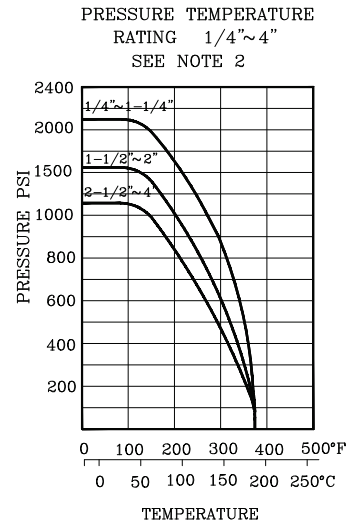
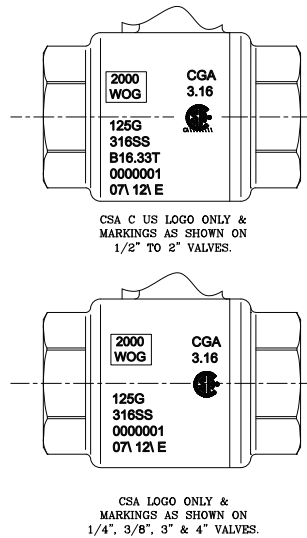
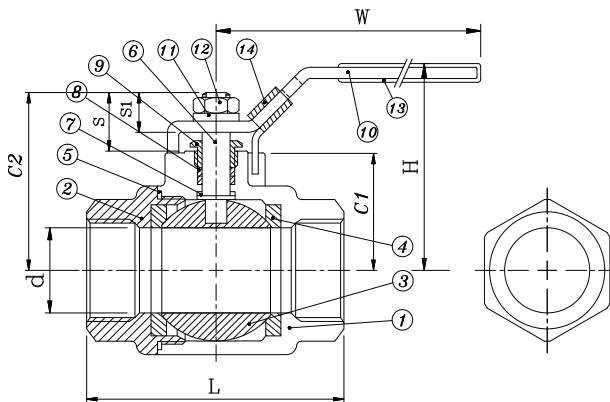
Manually Operated Metallic Gas Valves For Use In Gas Piping Systems Up To 125 PSI

CGA 3.16-M88 (Reaffirmed 2009)

Lever Operated Non-Lubricated Gas Shut-off Valves



ITEM	PARTS	Q.TY	MATERIAL	
			V2	V2-C
1	BODY	1	ASTM-A351-CF8M	ASTM-A216-WCB
2	CAP	1	ASTM-A351-CF8M	ASTM-A216-WCB
3	BALL	1	ASTM-A351-CF8M	ASTM-A351-CF8
4	BALL SEAT	2	PTFE	PTFE
5	JOINT GASKET	1	PTFE	PTFE
6	STEM	1	AISI 316	AISI 316
7	THRUST WASHER	1	PTFE	PTFE
8	STEM PACKING	2	PTFE	PTFE
9	GLAND NUT	1	AISI 304	AISI 304
10	HANDLE	1	AISI 304	AISI 304
11	SPRING WASHER	1	AISI 304	AISI 304
12	STEM NUT	1	AISI 304	AISI 304
13	PLASTIC COVER	1	PLASTIC	PLASTIC
14	LOCK DEVICE	1	AISI 304	AISI 304



NOMINAL SIZE	d	L	H	W	S	S1	X	N	P	BL	Cv FACTOR	TORQUE kgf-cm
1/4"	11.6	60.5	53	95	16.5	10.2	5	12.5	28.5	5/16"	6.6	46
3/8"	12.7	60.5	53	95	16.5	10.2	5	12.5	28.5	5/16"	7.9	46
1/2"	15	62.5	53	95	16.5	10.2	5	12.5	28.5	5/16"	11.2	54
3/4"	20	77	60	110	20	13.5	6.5	21	34.8	3/8"	21	78
1"	25.4	90	74	135	23.5	16	8	22.5	34.8	7/16"	35	106
1-1/4"	32	100	80	135	23.5	16	8	23.5	38.1	7/16"	57	150
1-1/2"	38	118	92	165	25.5	17	9	23.5	38.1	1/2"	80	200
2"	50.8	138	101	165	25.5	17	9	34	38.1	1/2"	150	280
3"	80	193	142	215	41	29.5	12	35	56	3/4"	415	770
4"	100	260	174	325	48	36.5	16	50	63	1"	780	1100

VANCOUVER
26835 Gloucester Way
Langley BC Canada
V4W 3Y3
t. 604.607.6750
f. 604.607.6753
e. bc@unifiedalloys.com

EDMONTON
8835 - 50th Avenue
Edmonton AB Canada
T6E 5H4
t. 780.468.5656
f. 780.469.3651
e. ab@unifiedalloys.com

CALGARY
Bay #1, 7408 - 40 St. SE
Calgary AB Canada
T2C 2L6
t. 403.236.2216
f. 403.236.7458
e. ab@unifiedalloys.com

TORONTO
151 Steeles Avenue E
Milton ON Canada
L9T 1Y1
t. 905.502.9800
f. 905.502.9804
e. on@unifiedalloys.com

MONTRÉAL
5155 Avenue Félix-Leclerc
St. Laurent QC Canada
H4R 0C2
t. 514.331.1339
f. 514.331.1775
e. qc@unifiedalloys.com

