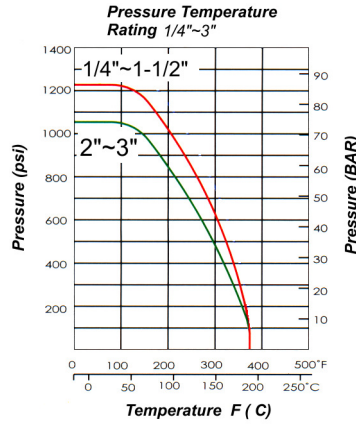


1000 WOG - 2 PIECE FULL PORT DIRECT MOUNT BALL VALVE

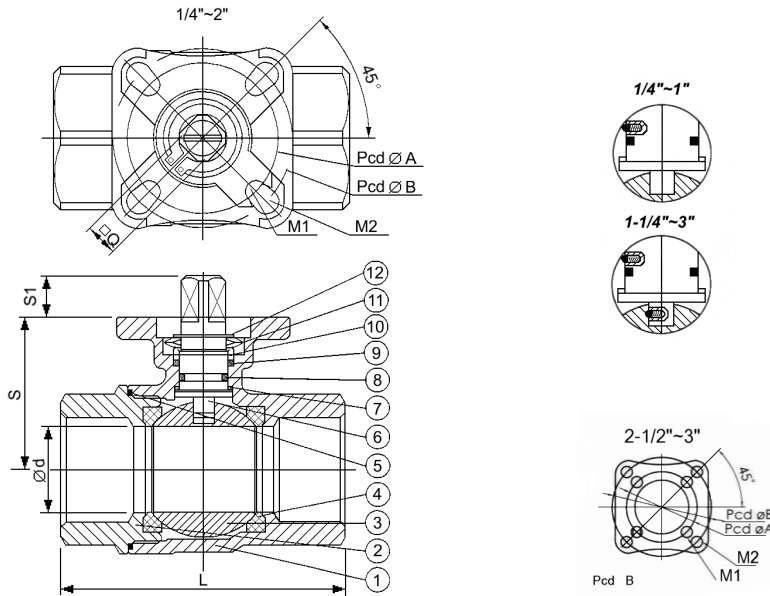
FIG. V2D



Compliance: MSS SP-110
 Threaded ends: ANSI B1.20.1
 Size range: 1/4" to 3"
 Pressure 1/4" to 3": 1000 psi (WOG)
 Blow-out proof stem
 Actuator Mounting Flange: ISO 5211
 Anti-Static Device

Materials:

No.	Part Name	Specification
1	Body	ASTM A351-CF8M
2	End Cap	ASTM A351-CF8M
3	Ball	ASTM A351-CF8M/316
4	Seat	PTFE
5	Joint Gasket	PTFE
6	Stem	ANSI 316
7	Thrust Washer	PTFE
8	O-Ring	Viton
9	Stem Packing	PTFE
10	Stem Ring	ANSI 304
11	Belleville Washer	ANSI 304
12	C-Clip	ANSI 304



Options:

- P: equipped with Pneumatic actuator
- L: Locking Device

Dimensions:

Size		ød		L		S	S1	ISO 5211						CV	Weights		
in	mm	in	mm	in	mm	mm	mm	Pcd	øA	øQ	Pcd	øB	M1	M2		lb	kg
1/4"	8	.43	11	1.95	49.6	36	10	F03	36	9	-	-	ø6.0	-	6.4	.68	0.31
3/8"	10	.5	12.7	1.95	49.6	36	10	F03	36	9	-	-	ø6.0	-	7.9	.68	0.31
1/2"	15	.59	15	2.17	55	38	10	F04	42	9	-	-	ø6.0	-	11.2	.75	0.34
3/4"	20	.79	20	2.97	75.5	41.7	12	F04	42	11	F05	50	R3.0	R3.5	21	1.36	0.62
1"	25	.98	25	3.25	82.5	44.4	12	F04	42	11	F05	50	R3.0	R3.5	35	1.72	0.78
1 1/4"	32	1.26	32	3.57	90.8	54	16.5	F05	50	14	F07	70	R3.5	R4.5	57	2.97	1.35
1 1/2"	40	1.5	40	4.06	103	59.5	16.5	F05	50	14	F07	70	R3.5	R4.5	85	4.20	1.91
2"	50	2	50	4.72	120	67	16.5	F05	50	14	F07	70	R3.5	R4.5	148	6.16	2.8
2 1/2"	65	2.6	65	6.10	155	101.5	24.5	F07	70	17	F10	102	ø9.0	ø11	265	15.36	6.98
3"	80	3.15	80	7.17	182	112.5	24.5	F07	70	17	F10	102	ø9.0	ø11	415	22.66	10.3