

TWO BOLT PIPE CLAMP

Designed for the support or restraint of vertical or horizontal pipe

MATERIAL: 304 Stainless Steel and Carbon Steel

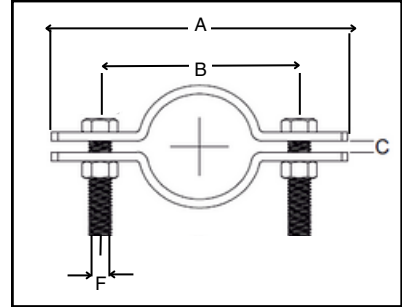
TEMPERATURE:

Stainless Steel: -20 °F to 650 °F (-29 °C to 343 °C)

Carbon Steel: -20 °F to 650 °F (-29 °C to 343 °C)

NOTES: All dimensions listed are typical
Recommended for suspension of non-insulated pipe

ORDERING: Specify pipe size



PRODUCT CODE	SIZE	A	B	C	F	Minimum Design Load Ratings at Normal Temperature Range
12PC4	1/2"	3-1/2"	2-1/2"	5/8"	5/16"	150
34PC4	3/4"	3-1/2"	2-5/8"	5/8"	5/16"	150
1PC4	1"	3-7/8"	2-7/8"	5/8"	5/16"	150
114PC4	1-1/4"	4-1/4"	3-1/4"	5/8"	5/16"	150
112PC4	1-1/2"	4-3/4"	3-3/4"	7/8"	5/16"	150
2PC4	2"	5-3/4"	4-1/2"	7/8"	1/2"	150
212PC4	2-1/2"	6-5/16"	5"	7/8"	1/2"	150
3PC4	3"	7-1/4"	6"	7/8"	1/2"	200
4PC4	4"	8"	6-5/8"	7/8"	5/8"	250
6PC4	6"	11-7/8"	8-1/8"	7/8"	3/4"	480
8PC4	8"	14-1/8"	12-1/2"	1"	3/4"	760
10PC4	10"	16-7/8"	15"	1"	7/8"	1120
12"PC4	12"	18-3/4"	16-3/4"	1"	7/8"	1480

Installation Note: The dimensions shown are approximate