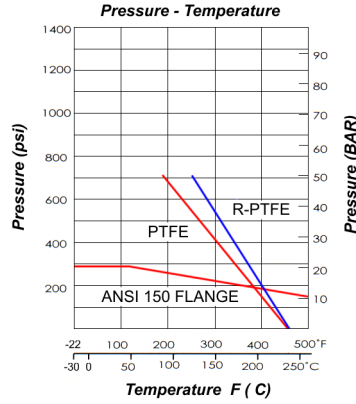


ANSI CLASS 150 FULL PORT STAINLESS STEEL BALL VALVE 1/2" to 4"

FIG. V-2F

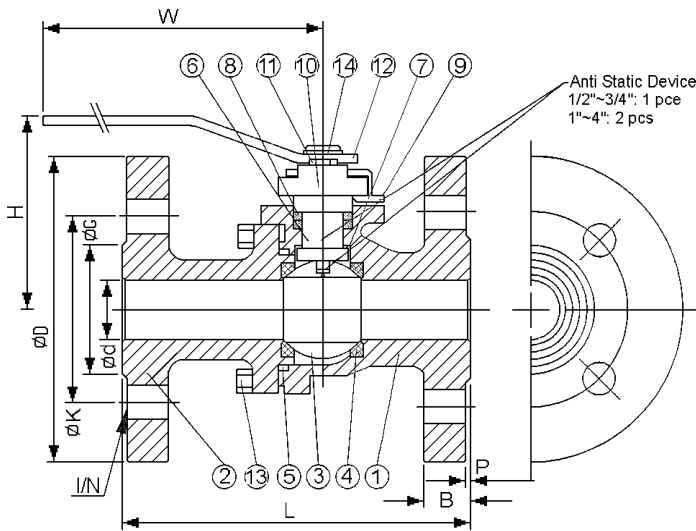


Compliance: API 608 & MSS SP-72
 Flange dimensions: ANSI B16.5
 Face-to-Face dimensions: ANSI B16.10
 Wall thickness: ANSI B16.34
 Inspection & Testing: API 598
 Fire safe design: API 607

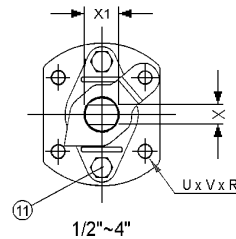
Materials:

No.	Part Name	Specification
1	Body	ASTM A351-CF8M
2	Cap	ASTM A351-CF8M
3	Ball	ASTM A351-CF8M
4	Seats	PTFE
5	Joint Gasket	PTFE
6	Stem *	ANSI 316
7	Thrust Washer	PTFE
8	Stem Packing	PTFE
9	Stopper	ASTM 304
10	Gland Ring	ANSI 304
11	Stop Bolt	ASTM 304
12	Handle	ANSI 304
13	Bolt	ANSI 304
14	Retaining Ring	ANSI 304

* Blow-out Proof Stem



Anti Static Device
 1/2"~3/4": 1 pce
 1"~4": 2 pcs



Shell (by water)		ANSI 150 lb
		450 psi 3.1 MPa
Seat	by water	315 psi 2.17 MPa
		85 psi 0.6 MPa
	by air	85 psi 0.6 MPa
		0.6 MPa

Dimensions:

Size		ød	L		øD	H	øK	øG	I/N	W	X	X1	P	UxVxR	CV	Weight	
in	mm	mm	in	mm	mm	mm	mm	mm		mm	mm	mm	mm	ISO 5211		lbs	kg
1/2"	15	15	4.25	108	89	74	60.5	35	16/4	158	7.9	11.8	2	4-42xM5XP0.8	36	3.52	1.6
3/4"	20	20	4.60	117	98	79	70	43	16/4	158	7.9	11.8	2	4-42xM5XP0.8	67	4.18	1.9
1"	25	25	5.00	127	108	90	79.5	51	16/4	158	7.9	11.8	2	4-50xM6XP1.0	110	6.6	3.0
1 1/4"	32	32	5.50	140	117	96	89	64	16/4	158	7.9	11.8	2	4-50xM6XP1.0	184	8.36	3.8
1 1/2"	40	38	6.50	165	127	102	98.5	73	16/4	226	12	20	3	4-70xM8XP1.25	266	14.3	6.5
2"	50	50	7.00	178	152	112	120.5	92	19/4	226	12	20	3	4-70xM8XP1.25	485	20.24	9.2
2 1/2"	65	65	7.50	190	178	125	139.5	105	19/4	226	12	20	3	4-70xM8XP1.25	842	29.7	13.5
3"	80	80	8.00	203	190	154	152.5	127	19/4	327	17	26.9	3	4-102xM10XP1.5	1276	35.64	16.2
4"	100	100	9.01	229	229	168	190.5	157	19/8	327	17	26.9	3	4-102xM10XP1.5	2052	54.12	24.6