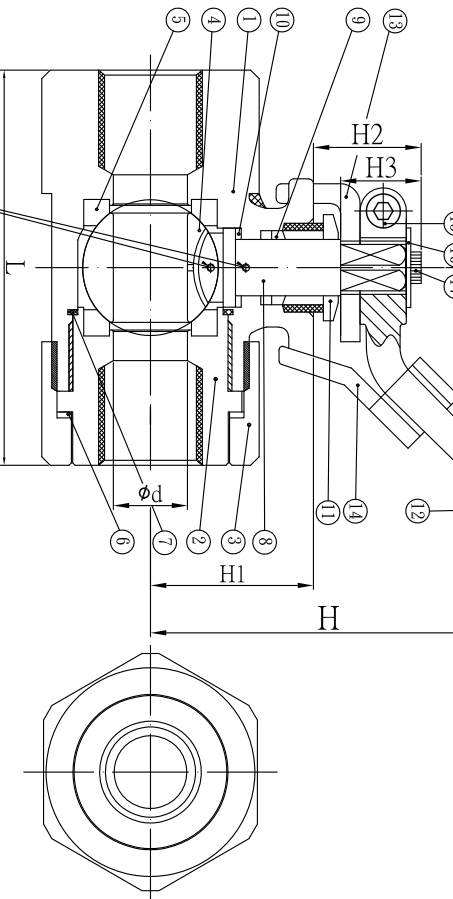
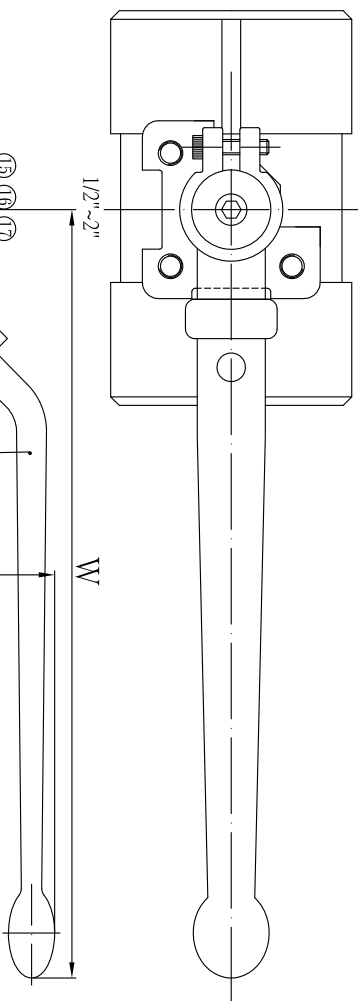
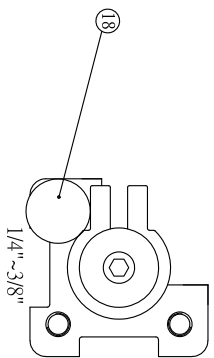
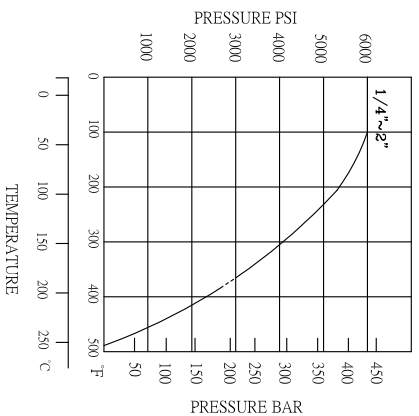


PRESSURE-TEMPERATURE RATING 1/4"-2"



料號	SIZE	φd	W ^{±5}	L ^{±2}	H	H1	H2	H3	ISO 5211	C _v FACTOR	TORQUE kgf-cm	KGS
A37M166N61K4	1/4"	11.6	150	69	66	30	20.3	16.8	F03/□36	6.6	60	0.69
A37b266F61K4	3/8"	12.5	150	69	66	30	20.3	16.8	F03/□36	7.9	75	0.68
A37M366N60K2	1/2"	15	150	79	72	33	22.7	16.8	F03/□36	11.2	75	0.91
A37M466N60K2	3/4"	20	150	94	81	40.8	24.3	17.8	F03/□36	35	150	1.72
A37M566N60K2	1"	25	180	120	105	46	32	24.9	F04/□42	35	250	2.65
A37b666F61K2	1-1/4"	32	180	130	115	55	33	24.9	F05/□50	57	300	4.00
A37b766F61K4	1-1/2"	38	235	149	125	67.5	38	30	F07/□70	80	450	8.27
A37M866N60K2	2"	50	235	174	135	76.5	37.5	30	F07/□70	150	750	12.16

ITEM	PARTS	QTY	MATERIALS		
			A2WM-316	A2WM-304	A2WM-WCB
1	BODY	1	ASTM-A351-CF8M	ASTM-A351-CF8	ASTM-A216-WCB
2	INSERT	1	ASTM-A351-CF8M	ASTM-A351-CF8	ASTM-A216-WCB
3	SCREWED CAP	1	ASTM-A351-CF8M	ASTM-A351-CF8	ASTM-A216-WCB
4	BALL	1	ASTM-A351-CF8M	ASTM-A351-CF8	ASTM-A351-CF8
5	BALL SEAT	2	PEEK	PEEK	PEEK
6	SEAL	1	PTFE	PTFE	PTFE
7	GASKET	1	PTFE	PTFE	PTFE
8	STEM	1	AISI 316	AISI 304	AISI 304
9	STEM PACKING	2	PTFE	PTFE	PTFE
10	THRUSE WASHER	1	PTFE	PTFE	PTFE
11	GLAND NUT	1	AISI 304	AISI 304	AISI 304
12	HANDLE	1	AISI 304	AISI 304	AISI 304
13	STOPPER 2	1	AISI 304	AISI 304	AISI 304
14	LOCK DEVICE	1	AISI 304	AISI 304	AISI 304
15	HANDLE NUT	1	AISI 304	AISI 304	AISI 304
16	WASHER	1	AISI 304	AISI 304	AISI 304
17	HANDLE NUT	1	AISI 304	AISI 304	AISI 304
18	STOP PIN	1	AISI 304	AISI 304	AISI 304



Description

Rev.

Date

Description

Type

6000 CWP

Rev. A



Checked Morris

Scale

Fit

Date

2019/05/27

V2HPM

Ultim

Anti static device
1/4"-1/2" x1 hole
3/4"-2" x2 holes

Drawn Charles

Describe

High Pressure Full Bore Ball Valves