

600# WOG STAINLESS STEEL Y STRAINER

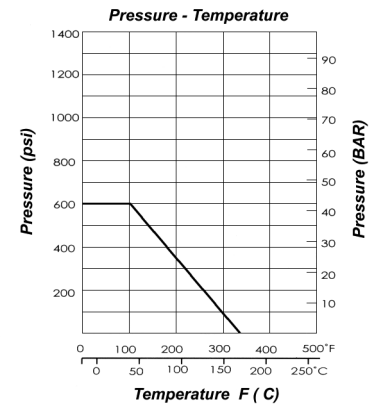
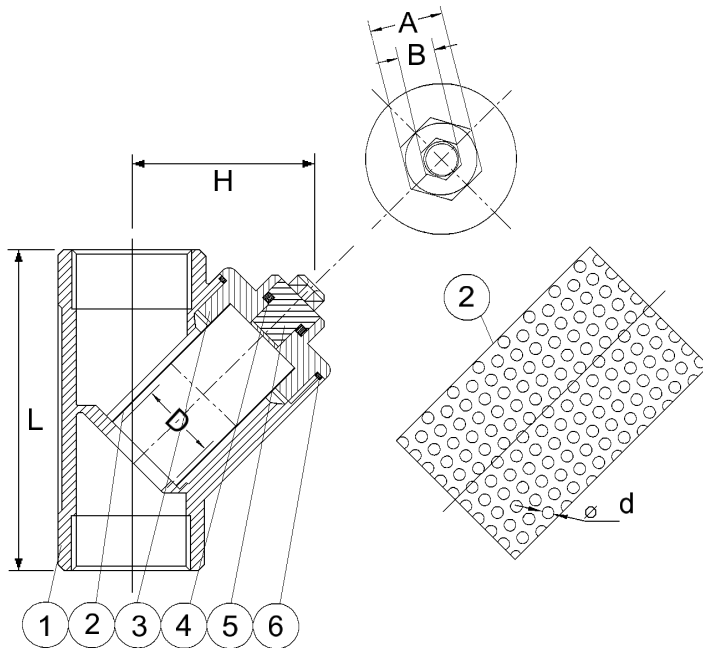
FIG. VT-Y



Ends: ANSI B1.20.1
 Size range: 1/2" to 2"
 Pressure 1/2" to 2": 600 psi (WOG)
 Max. Temperature: 320 °F

Materials:

No.	Part Name	Specification
1	Body	ASTM A351-CF8M
2	Screen	AISI 316
3	Cover	ASTM A351-CF8M
4	Packing	25% Carbon + PTFE
5	Blow-off Plug	ASTM A351-CF8M
6	Gasket	PTFE



Dimensions:

Size		D		L		H		A		B		∅d	CV	Weights	
in	mm	in	mm	in	mm	in	mm	in	mm	in	mm	mm		lb	kg
1/2"	15	.59	15	2.44	62	1.5	38	.63	16	.31	8	0.6	4.6	.46	.21
3/4"	20	.79	20	2.8	71	1.65	42	.63	16	.31	8	0.6	10.6	.62	.28
1"	25	.98	25	3.39	86	1.97	50	.81	20.7	.39	10	0.6	19.7	1.01	.46
1 1/4"	32	1.26	32	3.9	99	2.17	55	.98	25	.47	12	1.0	31.5	1.36	.62
1 1/2"	40	1.5	38	4.37	111	2.32	59	.98	25	.47	12	1.0	46	2.02	.92
2"	50	2.0	51	5.39	137	2.87	73	1.26	32	.47	12	1.0	86	3.17	1.44