

PN40 STAINLESS STEEL WAFER CHECK VALVE

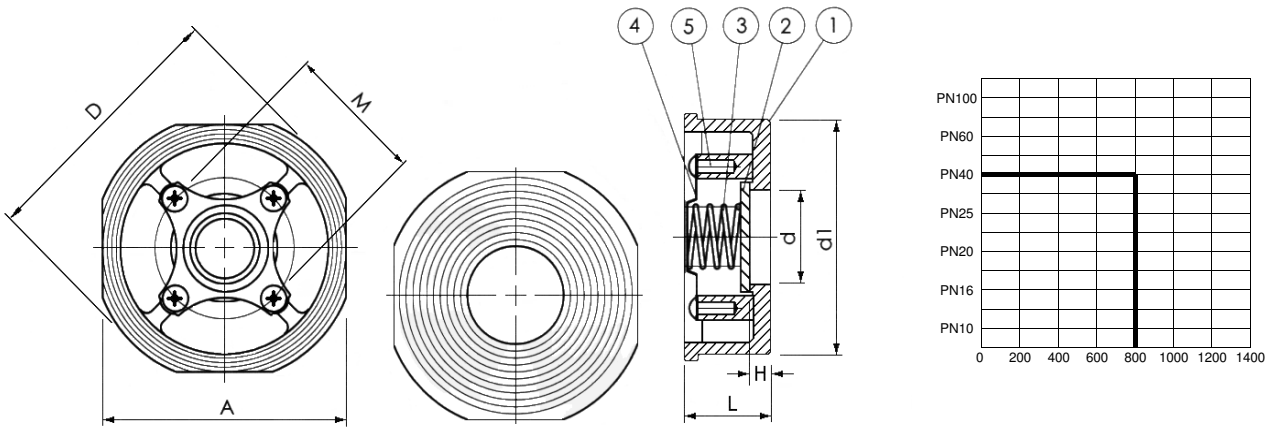
FIG. 150WC

Class 150 (PN40) 316 Stainless steel body & trim, metal seats.



Materials:

No.	Part Name	Specification
1	Body	ASTM A351-CF8M
2	Disc	ASTM A351-CF8M
3	Spring	ANSI 316
4	Cap	ANSI 316
5	Screw	ANSI 316



Dimensions:

Size		d		d1		A		D		L		M		H		Cracking Pressure	Full Open Pressure	CV	Weight	
in	mm	in	mm	in	mm	in	mm	in	mm	in	mm	in	mm	in	mm	psi	psi		lb	kg
½	15	.59	15	1.69	43	1.77	45	2.09	53	.65	16.5	1.09	27.7	.17	4.4	5	7.3	4.6	.26	0.12
¾	20	.79	20	2.09	53	2.17	55	2.48	63	.77	19.5	1.35	34.2	.19	4.8	5.3	8.2	10.6	.44	0.20
1"	25	1.0	25.4	2.48	63	2.56	65	2.87	73	.87	22	1.55	39.4	.21	5.4	6.6	10	19.7	.66	0.30
1¼	32	1.18	30	2.95	75	3.07	78	3.31	84	1.10	28	1.72	43.7	.24	6.0	5.3	11	31.5	.88	0.40
1½	40	1.5	38	3.38	86	3.46	88	3.70	94	1.26	32	2.13	54.0	.26	6.6	8.9	13.5	46	1.32	0.60
2"	50	1.85	47	3.78	96	3.86	98	4.21	107	1.57	40	2.50	63.5	.28	7.1	11.4	18.5	86	1.76	0.80
2½	65	2.46	62.5	4.53	115	4.64	118	4.96	126	1.81	46	3.26	82.8	.31	7.8	14.6	25.5	139	3.30	1.50
3"	80	3.03	77	5.12	130	5.28	134	5.67	144	1.97	50	3.89	98.8	.33	8.4	19.7	35.4	200	4.18	1.90
4"	100	3.78	96	5.94	151	6.06	154	6.46	164	2.36	60	4.72	119.	.35	9.0	23.5	41.2	347	7.26	3.30