

200# WOG STAINLESS STEEL NRS GATE VALVE

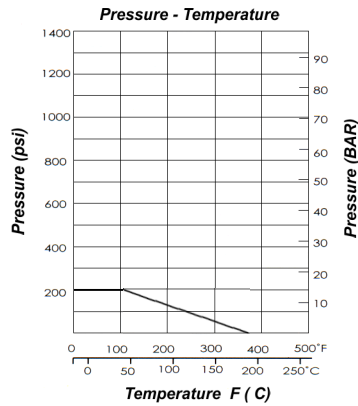
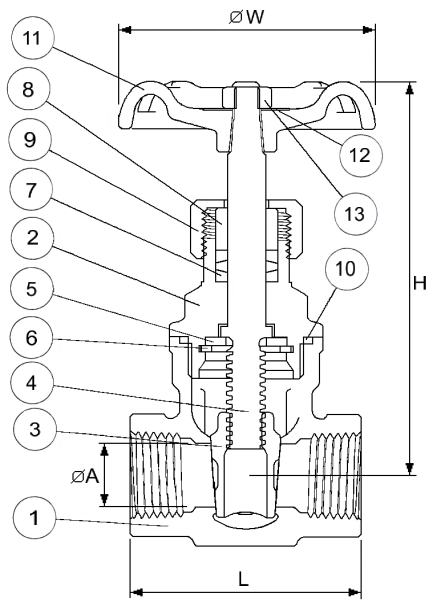
FIG. T2GA



Ends: ANSI B1.20.1 NPT
 Size range: 1/2" to 2"
 Pressure 1/2" to 2": 200 psi (WOG)
 Max. Temperature: 350 °F
 Wedge disc, Integral seat
 Full Port
 Inspection & Testing: API 598

Materials:

No.	Part Name	Specification
1	Body	ASTM A351-CF8M
2	Bonnet	ASTM A351-CF8M
3	Disc	ASTM A351-CF8M
4	Stem	AISI 316
5	Stem Washer	AISI 316
6	Snap Washer	AISI 316
7	Stem Packing	PTFE
8	Sleeve	AISI 316
9	Packing Nut	ASTM A351-CF8M
10	Gasket	PTFE
11	Handwheel	Aluminum
12	Name Plate	Aluminum
13	Handwheel Nut	AISI 304



Dimensions:

Size		øA		L		øW		H		CV	Weights	
in	mm	in	mm	in	mm	in	mm	in	mm		lb	kg
1/2"	15	.59	15	2.13	54	2.4	61	3.78	96	22	.92	.42
3/4"	20	.79	20	2.28	58	2.4	61	4.06	103	41	1.23	.56
1"	25	.98	25	2.56	65	3.03	77	4.41	112	66	1.54	.7
1 1/4"	32	1.26	32	2.95	75	3.03	77	5.04	128	113	2.16	.98
1 1/2"	40	1.57	40	3.07	78	3.27	83	5.87	149	181	2.97	1.35
2"	50	1.97	50	3.43	87	4.13	105	6.50	165	297	4.29	1.95