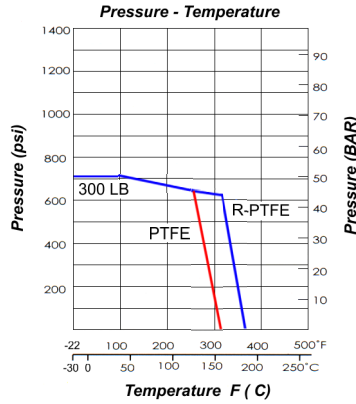


## ANSI CLASS 300 FULL PORT STAINLESS STEEL BALL VALVE

FIG. 300FPBV

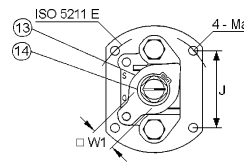
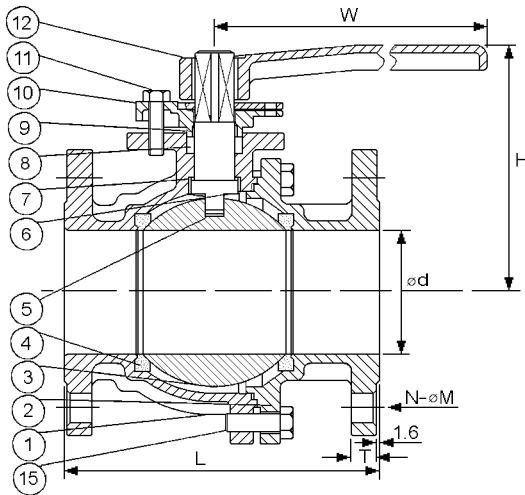


Compliance: API 608 & MSS SP-72  
 Flange dimensions: ANSI B16.5  
 Face-to-Face dimensions: ANSI B16.10  
 Wall thickness: ANSI B16.34  
 Inspection & Testing: API 598

**Materials:**

No.	Part Name	Specification
1	Body	ASTM A351-CF8M
2	Cap	ASTM A351-CF8M
3	Ball	ASTM A351-CF8M
4	Seat	PTFE
5	Stem *	316SS
6	Gasket	PTFE
7	Thrust Washer	TFM 4215
8	Gland Packing	PTFE
9	Stem Bushing	PTFE
10	Gland	ASTM A351-CF8
11	Gland Bolt	304SS
12	Handle	FCD
13	Stopper	304SS
14	Snap Ring	304SS
15	Bolt	304SS

\* Blow-out Proof Stem



Shell (by water)		ANSI 300 lb
		1125 psi
		7.75 MPa
Seat	by water	825 psi
		5.68 MPa
	by air	85 psi
		0.6 MPa

**Dimensions:**

Size		ød		L		H		J	□W1	Ma	W	T	N-øM	E	ISO 5211	CV	Weight	
in	mm	in	mm	in	mm	in	mm	mm	mm	mm	mm	mm	mm	mm	mm		lbs	kg
1/2"	15	.59	15	5.51	140	3.62	92	50	12	M5	160	14.3	4-ø16	42	F04	26	5.28	2.4
3/4"	20	.79	20	5.98	152	3.86	98	50	12	M5	160	15.9	4-ø19	42	F04	50	7.26	3.3
1"	25	.98	25	6.50	165	4.06	103	50	12	M6	160	17.5	4-ø19	50	F05	94	9.81	4.46
1 1/4"	32	1.26	32	7	178	4.22	107	50	12	M6	160	19.1	4-ø19	50	F05	120	13.2	6
1 1/2"	40	1.57	40	7.5	190	4.41	112	62	17	M8	230	20.7	4-ø22	70	F07	260	19.6	8.9
2"	50	1.97	50	8.5	216	4.80	122	62	17	M8	230	22.3	8-ø19	70	F07	480	25.3	11.5
2 1/2"	65	2.56	65	9.5	241	5.94	151	75	21	M8	350	25.4	8-ø22	70	F07	750	38.7	17.6
3"	80	3.14	80	11.14	283	6.34	161	75	21	M10	350	28.6	8-ø22	102	F10	1300	55.66	25.3
4"	100	3.94	100	12	305	6.89	175	75	21	M10	350	31.8	8-ø22	102	F10	2300	88.44	40.2
6"	150	5.91	150	15.87	403	9.72	247	89	24	M12	750	36.6	12-ø22	125	F12	5400	184.8	84
8"	200	7.87	200	19.76	502	12.0	305	100	32	M12	1000	41.3	12-ø25	125	F12	10000	339	154
10"	250	9.84	250	22.36	568	13.8	351	100	32	M16	1000	47.7	16-ø29	140	F14	15000	636	289
12"	300	11.81	300	25.91	658	15.3	389	100	32	M16	1000	50.8	16-ø32	140	F14	21000	671	305