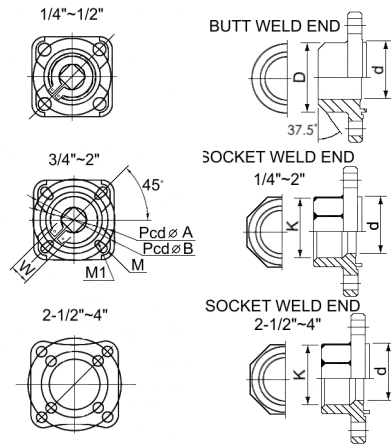


1000 WOG - 3 PIECE FULL PORT DIRECT MOUNT BALL VALVE

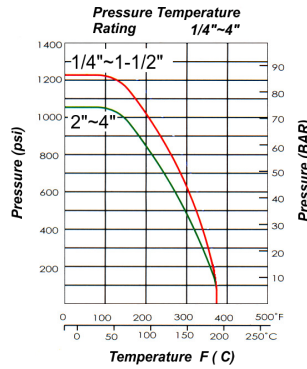
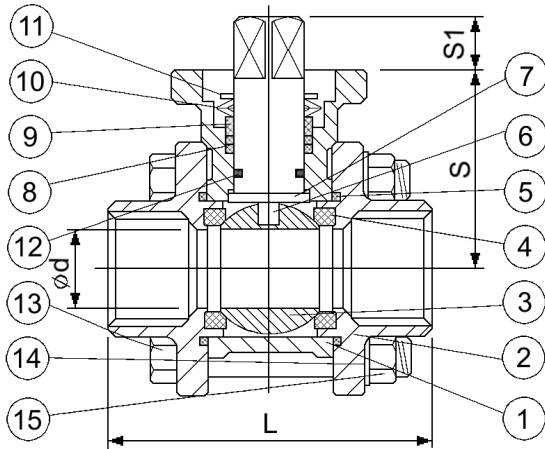
FIG. V3D



Compliance: MSS SP-110 & MSS SP-72
 Threaded ends: ANSI B1.20.1
 Size range: 1/4" to 4"
 Pressure 1/4" to 4": 1000 psi (WOG)
 Blow-out proof stem
 Actuator Mounting Flange: ISO 5211

Materials:

No.	Part Name	Specification
1	Body	ASTM A351-CF8M
2	End Cap	ASTM A351-CF8M
3	Ball	ASTM A351-CF8M
4	Seat	PTFE
5	Joint Gasket	PTFE
6	Stem	ANSI 316
7	Thrust Washer	PTFE
8	Stem Packing	PTFE
9	High Washer	AISI 304
10	Belleville Washer	AISI 304
11	C-Clip	AISI 304
12	O-Ring	Viton
13	Bolt	AISI 304
14	Spring Washer	AISI 304
15	Hex Nut	AISI 304



Options:

- M: Tapped Mounting pad
- P: equipped with Pneumatic actuator
- L: Locking Device

Dimensions:

Size		ød		L		S1	S	ISO 5211					K	D	CV	Weights			
in	mm	in	mm	in	mm	mm	mm	Pcd øA	□W	Pcd øB	M	M1	mm	mm		lb	kg		
1/4"	8	.46	11.6	2.32	59	9.6	37	F03	36	9	-	-	R3.0	-	14.1	18.1	6.6	1.01	.46
3/8"	10	.5	12.7	2.32	59	9.6	37	F03	36	9	-	-	R3.0	-	17.6	18.1	7.9	.97	.44
1/2"	15	.59	15	2.44	62	9.6	39	F03	36	9	-	-	R3.0	-	21.7	21.7	11.2	1.21	.55
3/4"	20	.79	20	3.03	77	11.6	42.7	F04	42	11	F05	50	R3.5	R3.0	27.2	27.2	21	1.78	.81
1"	25	.98	25	3.27	83	11.6	46.4	F04	42	11	F05	50	R3.5	R3.0	33.9	34.0	34	2.2	1.0
1 1/4"	32	1.26	32	3.70	94	11.2	52.8	F05	50	14	F07	70	R4.5	R3.5	43.2	42.7	57	3.65	1.66
1 1/2"	40	1.57	40	4.21	107	11.2	58.5	F05	50	14	F07	70	R4.5	R3.5	48.7	48.6	80	5.17	2.35
2"	50	1.97	50	4.72	120	11.2	66	F05	50	14	F07	70	R4.5	R3.5	61.1	60.5	148	7.7	3.5
2 1/2"	65	2.6	65	6.14	156	19.0	101.5	F07	70	17	F10	102	R5.5	R4.5	73.8	70.0	265	18.81	8.55
3"	80	3.15	80	7.17	182	19.0	112.5	F07	70	17	F10	102	R5.5	R4.5	89.8	70.0	415	27.24	12.38
4"	100	3.94	100	8.41	213.6	19.0	127	F07	70	17	F10	102	R5.5	R4.5	115.4	70.0	780	43.63	19.83