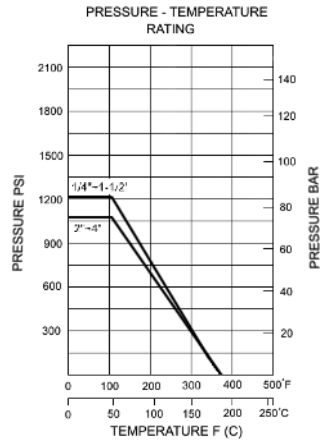


## 1000 WOG - 2 PIECE FULL PORT STAINLESS STEEL BALL VALVE

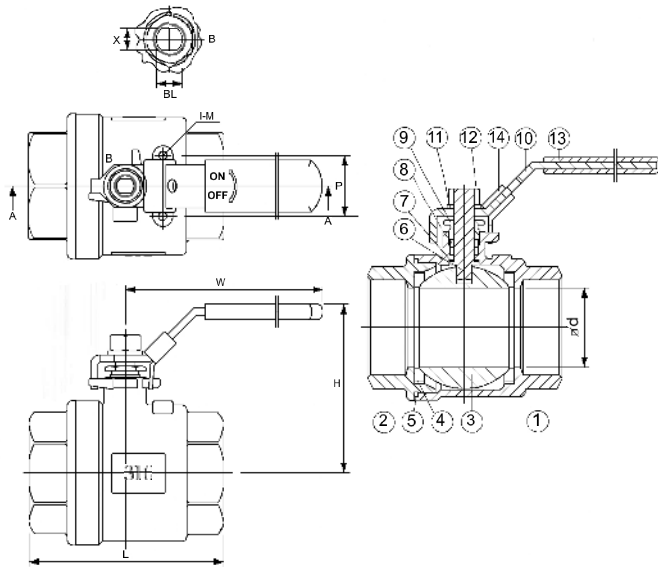
FIG. V-21



Compliance: MSS SP-110  
 Blow-out proof stem  
 Threaded ends: ANSI B1.20.1  
 Size range: 1/4" to 4"  
 Pressure 1/4" to 4": 1000 psi (WOG)

**Materials:**

No.	Part Name	Specification
1	Body	ASTM A351-CF8M
2	End Cap	ASTM A351-CF8M
3	Ball	ASTM A351-CF8M
4	Seat	PTFE
5	Joint Gasket	PTFE
6	Stem	ANSI 316
7	Thrust Washer	PTFE
8	Stem Packing	PTFE
9	Gland Nut	ANSI 304
10	Handle	ANSI 430
11	Stem Washer	AISI 304
12	Stem Nut	AISI 304
13	Handle Sleeve	Plastic
14	Lock Device	AISI 304



**Options:**

- M: Tapped Mounting pad
- P: equipped with Pneumatic actuator
- U: UNC or UNF threads for mounting pad
- L: Locking Device

**Dimensions:**

Size		ød		L		H		P		W		X	BL	I-M	CV	Weights	
in	mm	in	mm	in	mm	in	mm	in	mm	in	mm	mm	in			lb	kg
1/4"	8	0.46	11.6	1.75	44.5	2.01	51	.98	25	3.74	95	5	5/16"	2-M6xP1.0	6.6	.46	.21
3/8"	10	0.50	12.7	1.75	44.5	2.01	51	.98	25	3.74	95	5	5/16"	2-M6xP1.0	7.9	.48	.22
1/2"	15	0.59	15	2.24	57	2.09	53	.98	25	3.74	95	5	5/16"	2-M6xP1.0	11.2	.50	.228
3/4"	20	0.79	20	2.56	65	2.34	59.5	.94	24	4.33	110	6.5	3/8"	2-M6xP1.0	21	.93	.442
1"	25	0.96	25	2.99	76	2.87	73	1.32	33.5	5.31	135	8	7/16"	2-M6xP1.0	35	1.55	.706
1 1/4"	32	1.26	32	3.44	87.5	3.11	79	1.50	38.1	5.31	135	8	7/16"	2-M6xP1.0	57	2.33	1.06
1 1/2"	40	1.50	38	4.02	102	3.56	90.5	1.50	38.1	6.50	165	9	1/2"	2-M6xP1.0	80	3.70	1.68
2"	50	1.97	50	4.84	123	3.88	98.5	1.50	38.1	6.50	165	9	1/2"	2-M6xP1.0	150	5.96	2.71
2 1/2"	65	2.56	65	6.14	156	5.14	130.5	2.20	56	8.46	215	12	3/4"	4-M6xP1.0	265	11.55	5.25
3"	80	3.15	80	7.24	184	5.61	142.5	2.20	56	8.46	215	12	3/4"	4-M6xP1.0	415	18.92	8.60
4"	100	3.94	100	9.84	250	6.83	173.5	2.48	63	12.80	325	16	1"	4-M6xP1.0	780	42.6	19.32