

Fontaine Aquanox

Water Control Gates

Stainless Steel Slide Gates



Standardized Gates
UP TO
48" (1200mm)
IN STOCK!

To get your specifications, drawings
and prices, visit us at fontaine-aquanox.com



100%
AWWA C561-14
COMPLIANT

CERTIFICATION TO
NSF/ANSI 61
AVAILABLE ON REQUEST

DETAILED ENGINEERING

Fontaine-Aquanox has been a global leader in fabricated slide gate design for more than a generation, engineering high quality products to meet a variety of flow control applications. We strive for excellence in all aspects of the business from design assistance and support to installation and after-market service. We are fully committed to our customers and we will continue to develop the most cost-effective slide gate solutions to meet the challenging needs of the municipal and industrial water control market.



INNOVATION

With our ongoing investment in research and new technologies, we are continually developing new design, manufacturing and installation solutions that make our gates the most cost-effective in the industry. Our self-adjusting seal technology outperforms the AWWA Standard and is far ahead of the marketplace with long-term tight sealing that extends the life of the gate and eliminates the need for maintenance. This and other innovative solutions allow us to provide the best products and services to meet your needs.



QUALITY

Fontaine-Aquanox brings exceptional quality to every project from design to manufacturing and testing. We are one of the few manufacturers in the industry to fully test all wall mounted, four side sealing gates for both operation and leakage performance as standard operating procedure. ISE Metal has ISO 9001 in many of its facilities.

SERVICE

The measure of a great manufacturer is their dedication to customer service. From quotations to design to installation, **Fontaine-Aquanox** maintains a sharp focus on customer satisfaction and service. Skilled, highly trained specialist are always available to help with your gate selection or installation requirements.



SERIES 20, 25 and 40

Fabricated Stainless Steel Slide Gates

Solid stainless steel construction and high corrosion and erosion resistance ensures many years of trouble free operation. The one-piece welded, flange-back frame design makes all Series 20, 25 and 40 gates robust and durable.

Fontaine-Aquanox Series 20, 25 and 40 Fabricated Stainless Steel Gates fully comply with AWWA Standard C-561 and NSF-61 certified for potable water applications.

Guaranteed Leakage Rate

All gates have a guaranteed leakage rate tested below the AWWA C-561 standard and other worldwide standards.

Unique Self-Adjusting Seals

Side and top seals are self-adjusting type, constructed of UHMWPE (Ultra-high Molecular Weight Polyethylene) with EPDM compression cords which assure long term tight sealing.

Rugged and Corrosion Resistant

High strength 304L or 316L stainless steel materials provide long-term corrosion resistance, increasing the service life of the slide gate.

Mounting Flexibility

Slide gates are available for wall mounting, in-channel mounting on existing concrete surfaces or embedded into new concrete walls. Also available are radius mounting flanges for circular manhole installations.

Ease of Installation

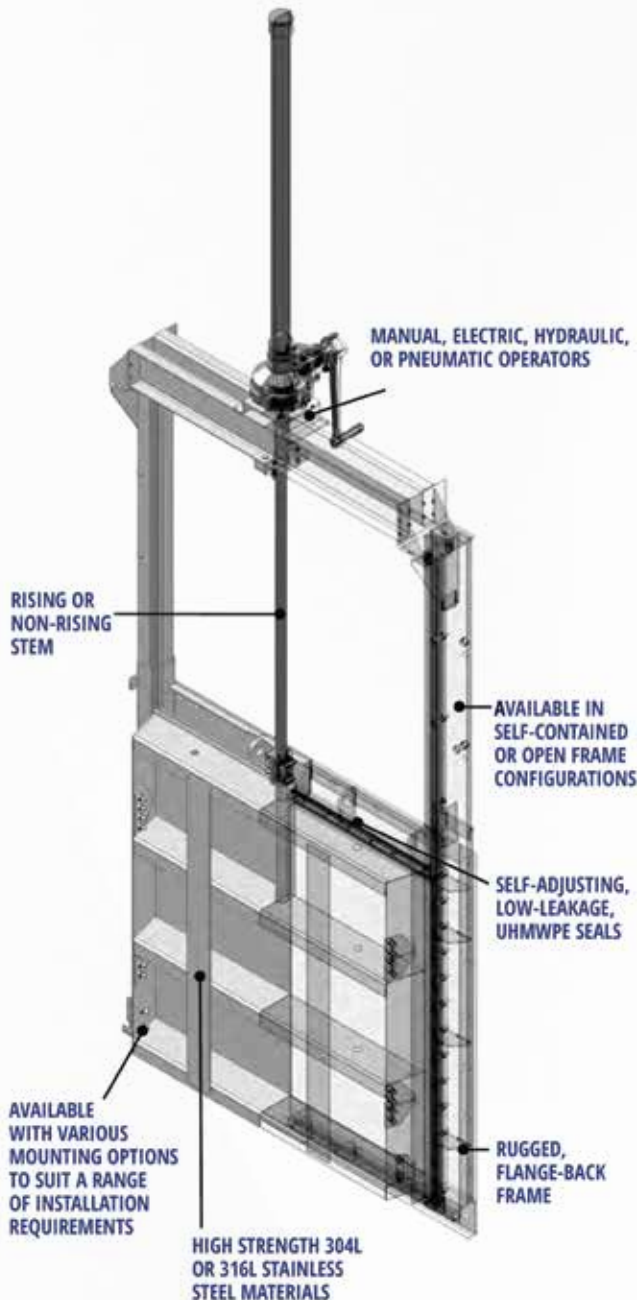
Fontaine-Aquanox gates are typically wall mounted directly to a concrete wall using an EPDM gasket. This means that NO grouting or thimbles are required in most installations. Gates arrive at the jobsite fully assembled and fully adjusted, ready for install.

Tested and Certified

Fontaine-Aquanox Series 20, 25 and 40 slide gates have successfully undergone stringent 25,000 cycle testing to ensure long term reliability. Every gate is rigorously tested prior to leaving the factory.

Maintenance-free

Self-adjusting seal design eliminates maintenance required vs. competitive "J" Bulb seal designs. Seals have no metal-to-metal contact to ensure no sticking, even after years of non-operation.



All Fontaine-Aquanox slide gates are versatile, durable, easy to install and require little or no maintenance.



Series 20 Sluice Gates

Fontaine-Aquanox Sluice Gates are made entirely of stainless steel and UHMWPE. Thus they have very high corrosion and erosion resistance, ensuring many years of trouble free operation with minimum maintenance. Series 20 sluice gates also have a one-piece welded flange-back frame design that makes them extremely robust.



Series 25 Channel Gates

The Series 25 **Fontaine-Aquanox** Channel Gate can be adapted to all types of channels and applications. **Fontaine-Aquanox** Channel gates feature a flange back frame made of stainless steel 304L or 316L along with a reinforced slide. It is solidly built in one piece which permits easy installation.

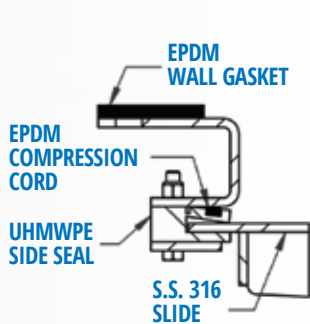


Series 40 Weir Gates

The **Fontaine-Aquanox** Downward Opening Weir Gate is used primarily for flow control and level control applications where the slide drops down to open and the flow is over the top of the gate. Series 40 Weir Gates feature a stainless steel flange back frame and reinforced slide.

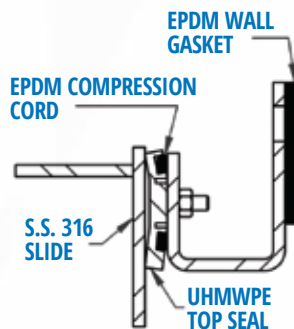
Exclusive UHMWPE Seals

The side and top seals of the Series 20, 25 and 40 slide gates are made from self-lubricating ultra-high molecular weight polyethylene (UHMWPE) allowing no metal-to-metal contact. With a friction coefficient of 0.2, the seals make the gate easy to operate, even after long periods of non-operation. The "self-adjusting" feature is achieved by a continuous compression cord that ensures a tight seal between the slide and the frame in both seating and unseating conditions. The wedging action of the compression cord enables the gate to control flow by only permitting flow through the open area of the gate. The remaining perimeter remains sealed providing a gate highly suitable for throttling applications.



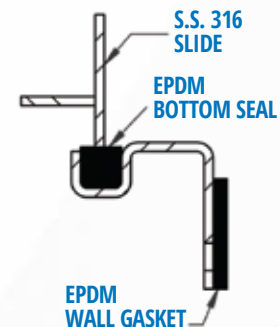
Side Seal

Flanged back design for wall mounting with self-adjusting UHMWPE seal and EPDM Gasket.



Top Seal

UHMWPE Seal with twin contact surfaces and two compression cords.



Bottom Seal

Resilient EPDM seal forms flush bottom.



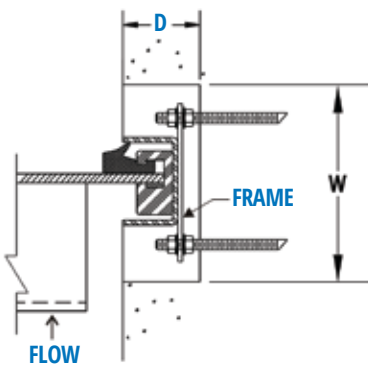
FLAP GATES - Series 60 and Series 70

The **Fontaine-Aquanox** Flap Gates are the simplest way to prevent flow of water from returning back up pipes or conduits. The gate design is such that whatever the size, a small flow will open the gate in negative pressure but it will remain watertight under positive pressure. The flap can be adjusted (on models > 24") to open under a specific head of water since its adjustable hinges can be adjusted to modify the force needed to push the flap. A self-lubricating UHMWPE bushing in the hinges prevents any metal-to-metal contact, thereby reducing friction and easing operation. Even if the flap is not used for long periods of time there is little risk the hinges will rust or seize. Available in square sizes

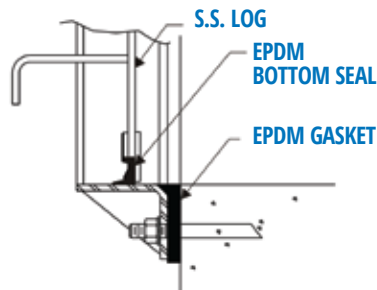


STOP LOGS – Series 95

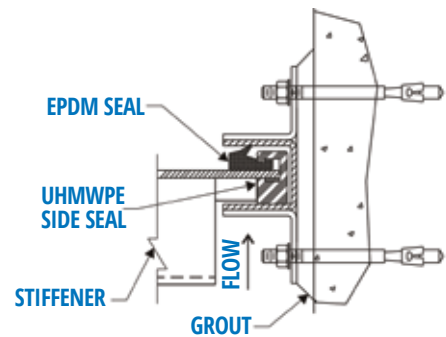
The **Fontaine-Aquanox** Series 95 Stop Logs are an easy and economical way to control flow in a channel and isolate other equipment for repair or maintenance. Their lightweight construction makes them easy to handle and the UHMWPE guides eliminate all metal-to-metal contact between the log and the frame, thereby allowing the logs to slide up and down with minimal friction. The logs can be supplied in either stainless steel or aluminum and can be either wall mounted or embedded into the concrete.



S95 Side embedded



S95 Bottom wall mount



S95 side frame wall mount

Engineered Flow Control Products from Fontaine-Aquanox

- **Sluice Gates** – Four side sealing, Stainless Steel
- **Channel Gates** – Three Side Sealing, Stainless Steel
- **Weir Gates** – Three or Four Side Sealing, Stainless Steel
- **Stop Plates** – Three Side Sealing, Stainless Steel or Aluminum
- **Stop Logs** – Stainless Steel or Aluminum
- **Bulkhead Gates** – Stainless Steel
- **Flap Gates** – Stainless Steel

Actuation

Fontaine-Aquanox can offer many options for actuation ranging from manual, electric or hydraulic systems.

Service

Our team of inside sales representatives and engineers have a wealth of slide gate knowledge and are able to assist you with your slide gate design. We can offer drawings, details, specification and budget pricing. Just call to inquire.

Fontaine-Aquanox offers the very best in on-site service, field inspection and commissioning.

Our on-site service can be done either through our local factory trained service representatives or directly from our dedicated service team.

For More Information about **Fontaine-Aquanox** products or to contact a local sales representative please visit our website at **fontaine-aquanox.com**



DESIGNED AND MANUFACTURED
BY **FONTAINE-AQUANOX**
A division of ISE Metal Inc.

20 Windsor Road,
Sherbrooke, Quebec, Canada J1C 0E5

1-855-769-0157

info@fontaine-aquanox.com