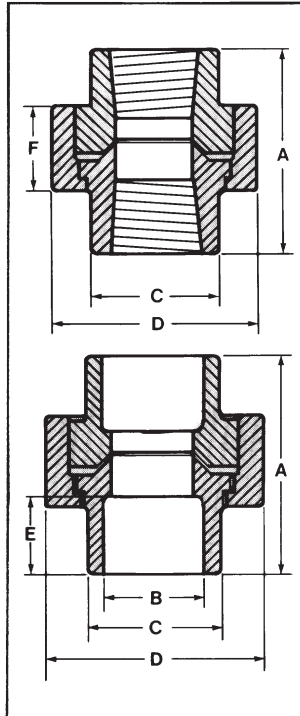


FORGED STAINLESS STEEL FITTINGS

FORGED THREADED, SOCKET WELDING UNIONS



Nominal Pipe Size	3000#					
	End to End A	Diameter of Socket B	Outside Diameter C	Diameter of Nut D	Socket Length E	Height of Nut F
1/8	1.830	.420	.940	1.570	.410	.71
1/4	1.830	.550	.940	1.570	.438	.71
3/8	1.830	.690	.940	1.570	.563	.71
1/2	1.960	.855	1.110	1.800	.625	.73
3/4	2.280	1.065	1.370	2.200	.688	.88
1	2.490	1.330	1.660	2.560	.750	.925
1-1/4	2.820	1.675	2.040	3.060	.813	1.035
1-1/2	3.050	1.915	2.310	3.420	.875	1.070
2	3.450	2.406	2.850	4.090	1.000	1.150
2-1/2	4.062	2.906	3.430	4.880	1.125	1.425
3	4.290	3.535	4.125	5.750	1.250	1.490