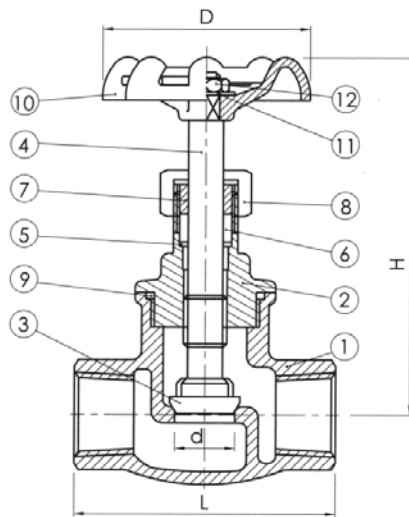
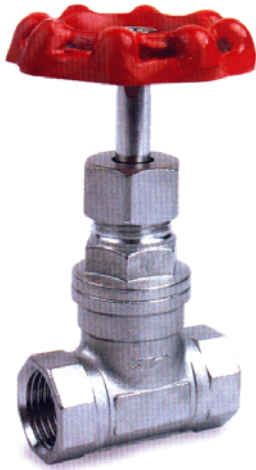


200# WOG STAINLESS STEEL GLOBE VALVE

FIG. VT-GL



Marking: MSS SP-25
 Ends: MSS SP-110, ANSI B2.1
 Size range: ¼" to 2"
 Pressure ¼" to 2": 200 psi (WOG)
 Max. Temperature: 350 °F
 Swivel Disc, Integral Seat
 Full Port

Materials:

No.	Part Name	Specification
1	Body	ASTM A351-CF8M
2	Bonnet	ASTM A351-CF8M
3	Disc	AISI 316
4	Stem	AISI 316
5	Retainer Ring	AISI 316
6	Packing	PTFE
7	Gland	AISI 316
8	Packing Nut	ASTM A351-CF8M
9	Gasket	PTFE
10	Handwheel	Cast Iron
11	Name Plate	Aluminum
12	Handwheel Nut	AISI 316

Dimensions:

Size		d		L		D		H Open	
in	mm	in	mm	in	mm	in	mm	in	mm
¼"	8	.39	10	2.05	52	2.36	60	4.02	102
⅜"	10	.47	12	2.05	52	2.36	60	4.02	102
½"	15	.59	15	2.05	52	2.36	60	4.02	102
¾"	20	.79	20	2.36	60	2.76	70	4.45	113
1"	25	.98	25	2.83	72	2.76	70	4.84	123
1¼"	32	1.26	32	3.15	80	3.15	80	5.83	148
1½"	40	1.57	40	3.54	90	3.54	90	6.30	160
2"	50	1.97	50	4.17	106	3.94	100	7.09	180