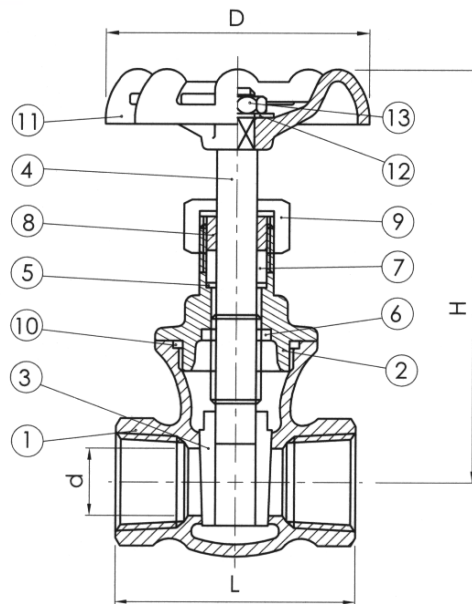




## 200# WOG STAINLESS STEEL GATE VALVE

FIG. VT-GA



Marking: MSS SP-25  
 Ends: MSS SP-110, ANSI B2.1  
 Size range: ½" to 2"  
 Pressure ½" to 2": 200 psi (WOG)  
 Max. Temperature: 350 °F  
 Integral Seat  
 Screwed Bonnet, NRS  
 Full Port

**Materials:**

No.	Part Name	Specification
1	Body	ASTM A351-CF8M
2	Bonnet	ASTM A351-CF8M
3	Gate	ASTM A351-CF8M
4	Stem	AISI 316
5	Stem Washer	AISI 316
6	Snap Washer	ANSI 316
7	Packing	PTFE
8	Gland	AISI 316
9	Packing Nut	ASTM A351-CF8M
10	Gasket	PTFE
11	Handwheel	Cast Iron
12	Name Plate	Aluminum
13	Handwheel Nut	AISI 316

**Dimensions:**

Size		d		L		D		H	
in	mm	in	mm	in	mm	in	mm	in	mm
½"	15	0.59	15	2.13	54	2.36	60	3.66	93
¾"	20	0.79	20	2.28	58	2.76	70	4.06	103
1"	25	1.00	25.4	2.56	65	2.76	70	4.41	112
1¼"	32	1.25	25.4	2.91	74	3.15	80	4.92	125
1½"	40	1.50	38	3.07	78	3.54	90	5.71	145
2"	50	1.97	50	3.43	87	3.94	100	6.69	170