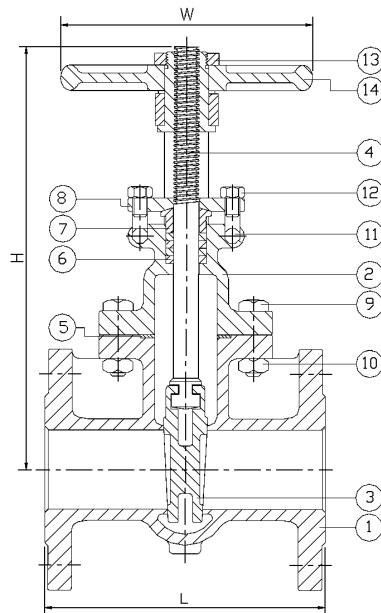


ANSI CLASS 150 STAINLESS STEEL GATE VALVE

FIG. VT-GAF

Class 150, Flanged ends, Bolted bonnet, 316 Stainless steel body & trim.



Flange dimensions: ANSI B16.5
 Face-to-Face dimensions: ANSI B16.10
 Wall thickness: ANSI B16.34/API 603
 Testing: API 598

Materials:

No.	Part Name	Specification
1	Body	ASTM A351-CF8M
2	Bonnet	ASTM A351-CF8M
3	Disc	ASTM A351-CF8M
4	Stem	ASTM A276-316
5	Gasket	15% RPTFE
6	Packing	15% RPTFE
7	Packing Gland	AISI 316
8	Gland Flange	ASTM A351-CF8M
9	Bonnet Bolts	ASTM A193-B8
10	Bonnet Nuts	ASTM A194-8
11	Gland Studs	ASTM A193-B8
12	Gland Nuts	ASTM A193-8
13	Wheel Nut	AISI 304
14	Handwheel	ASTM A536

Dimensions:

Size		L		H (Open)		W		Weight	
in	mm	in	mm	in	mm	in	mm	lb	kg
1½"	40	6.5	165	13	330	8	203	20	9
2"	50	7	178	15	381	8	203	37	17
2½"	65	7.5	191	15.5	394	8	203	44	20
3"	80	8	203	17.25	438	10	254	64	29
4"	100	9	229	21	533	10	254	90	41
6"	150	10.5	267	26	660	12	305	143	65
8"	200	11.5	292	36	914	14	356	216	98
10"	250	13	330	42	1067	18	457	295	134
12"	300	14	356	49	1245	20	508	515	234