



600# WOG STAINLESS STEEL Y STRAINER

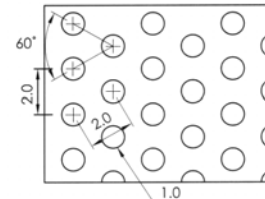
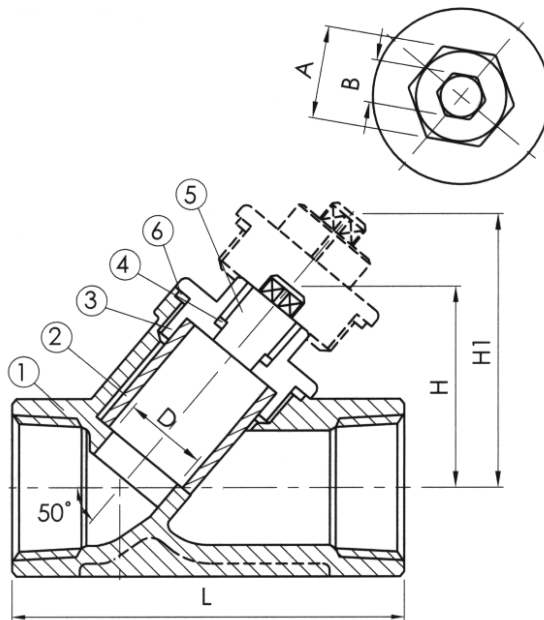
FIG. VT-Y



Marking: MSS SP-25
 Ends: MSS SP-110, ANSI B2.1
 Size range: ½" to 2"
 Pressure ½" to 2": 600 psi (WOG)
 Max. Temperature: 400 °F

Materials:

No.	Part Name	Specification
1	Body	ASTM A351-CF8M
2	Screen	AISI 316
3	Cover	ASTM A351-CF8M
4	O-Ring	Viton
5	Blow-off Plug	ASTM A351-CF8M
6	Gasket	PTFE



Dimensions:

Size		D		L		H		H1		A		B	
in	mm	in	mm	in	mm	in	mm	in	mm	in	mm	in	mm
½"	15	.59	15	2.36	60	1.5	38	2.0	51	.63	16	.31	8
¾"	20	.79	20	2.72	69	1.65	42	2.17	55	.63	16	.31	8
1"	25	.98	25	3.35	85	1.97	50	2.6	66	.81	20.7	.39	10
1¼"	32	1.26	32	3.9	99	2.17	55	2.87	73	.98	25	.47	12
1½"	40	1.5	38	4.37	111	2.32	59	3.15	80	.98	25	.47	12
2"	50	2.0	51	5.39	137	2.87	73	3.94	100	1.26	32	.47	12