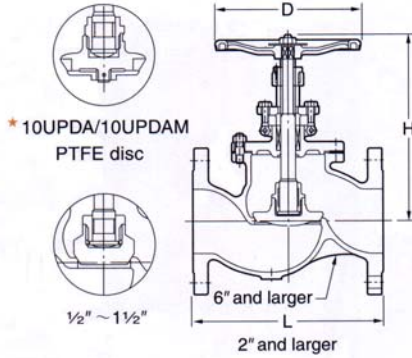


10UPA(T)\* / 10 UPDA\* / 150UPA  
 10UPAM(T)\* / 10UPDAM\* / 150UPAM



Face-to-face Dimensions: JIS B2002 · ASME B16.10  
 End Flange Dimensions : JIS B2238 · ASME B16.5  
 Wall Thickness: ASME B16.34

Parts	10UPA(T) 10UPDA* <sup>1</sup>	10UPAM(T) 10UPDAM* <sup>1</sup>	150UPA	150UPAM
Body	SCS13A	SCS14A	CF8	CF8M
Bonnet	SCS13A	SCS14A	CF8	CF8M
Stem	SUS304	SUS316	304	316
Disc	1/2"~2"	SUS304	SUS316	304
	2 1/2"~12"	SCS13A/PTFE* <sup>1</sup>	SCS14A/PTFE* <sup>1</sup>	CF8
Disc holder* <sup>2</sup>	SUS304	SUS316	—	—
Gland	SUS304	SUS316	304	316
Gland flange	SCS13A		CF8	
Gland packing	Refer to Page 6			
Gasket	Refer to Page 6			
Yoke bush	Ductile Ni-resist			
Handwheel	FCD400		Ductile iron	
Gland bolt/nut	SUS304/304		B8/8	
Bonnet bolt/nut	SUS304/304		B8/8	
Name plate	A1050P		Aluminum	

\* (T) Suffixing stands for the provision of ceramic filled PTFE gaskets.

\*<sup>1</sup> Soft seated disc.

\*<sup>2</sup> Fig. 10UPDA(M) only.

Note : ● Body seats and/or disc seats can be optionally hard-faced.

● Size 1 1/4" is only for 10K.

● Size 10" & 12" are only for Class 150.

Size		1/2	3/4	1	1 1/4	1 1/2	2	2 1/2	3	4	5	6	8	10	12
		in.	in.	in.	in.	in.	in.	in.	in.	in.	in.	in.	in.	in.	in.
L	in.	4.25	4.62	5.00	5.50	6.50	8.00	8.50	9.50	11.50	14.00	16.00	19.50	24.50	27.50
	mm	108	117	127	140	165	203	216	241	292	356	406	495	622	698
H (open)	in.	6.6	6.6	6.8	7.5	8.1	9.3	9.8	11.5	12.8	15.0	17.5	21.7	26.4	29.0
	mm	168	168	173	190	205	235	248	291	325	380	445	550	670	736
D	in.	3.5	3.5	3.9	4.7	5.5	6.3	7.1	7.9	8.9	9.8	11.8	13.8	17.7	19.7
	mm	90	90	100	120	140	160	180	200	225	250	300	350	450	500

\* Hammer-blow type handwheel.