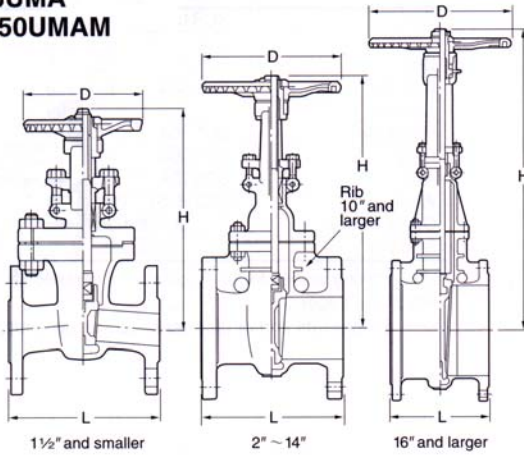


10UMA(T)* / 150UMA
10UMAM(T)* / 150UMAM



Option



150UMARM 2 1/2" ~ 4"

with male-female round gasket face

Parts	10UMA(T)	10UMAM(T)*	150UMA	150UMAM
Body	SCS13A	SCS14A	CF8	CF8M
Bonnet	SCS13A	SCS14A	CF8	CF8M
Stem	SUS304	SUS316	304	316
Disc	SCS13A	SCS14A	CF8	CF8M
Gland	SUS304	SUS316	304	316
Gland flange	SCS13A		CF8	
Gland packing	Refer to Page 6			
Gasket	Refer to Page 6			
Yoke sleeve	Ductile Ni-resist			
Yoke*1	FCD-S		Ductile iron	
Handwheel	FCD400		Ductile iron	
Gland bolt/nut	SUS304/304		B8/8	
Bonnet bolt/nut	SUS304/304		B8/8	
Grease nipple*2	S20C		Steel	
Name plate	A1050P		Aluminum	

* (T) Suffixing stands for the provision of ceramic filled PTFE gaskets.

*1 Yoke is separated from bonnet for 10" and larger.

*2 For 10" and larger.

Note : ● Body seats and/or disc seats can be optionally hard-faced.

● Size 1 1/4" is only for 10K.

● Flexible wedge for all sizes.

Face-to-Face Dimensions: JIS B2002 · ASME B16.10
End Flange Dimensions: JIS B2238 · ASME B16.5
Wall Thickness: ASME B16.34

Size	in. mm	1/2	3/4	1	1 1/4	1 1/2	2	2 1/2	3	4	5	6	8	10	12	14	16	18	20	24
		15	20	25	32	40	50	65	80	100	125	150	200	250	300	350	400	450	500	600
L	in.	4.25	4.62	5.00	5.50	6.50	7.00	7.50	8.00	9.00	10.00	10.50	11.50	13.00	14.00	15.00	16.00	17.00	18.00	20.00
	mm	108	117	127	140	165	178	190	203	229	254	267	292	330	356	381	406	432	457	508
H (open)	in.	7.8	8.2	8.8	9.4	11.1	13.2	14.8	17.5	20.6	23.9	28.0	36.2	44.0	52.1	58.5	66.5	74.4	82.7	96.9
	mm	198	208	224	238	282	336	375	445	523	606	710	920	1117	1324	1486	1690	1890	2100	2460
D	in.	3.5	3.5	3.9	3.9	5.5	6.3	7.1	7.9	8.9	9.8	9.8	11.8	13.8	15.8	17.7	23.6	23.6	26.8	29.9
	mm	90	90	100	100	140	160	180	200	225	250	250	300	350	400	450	600	600	680	760