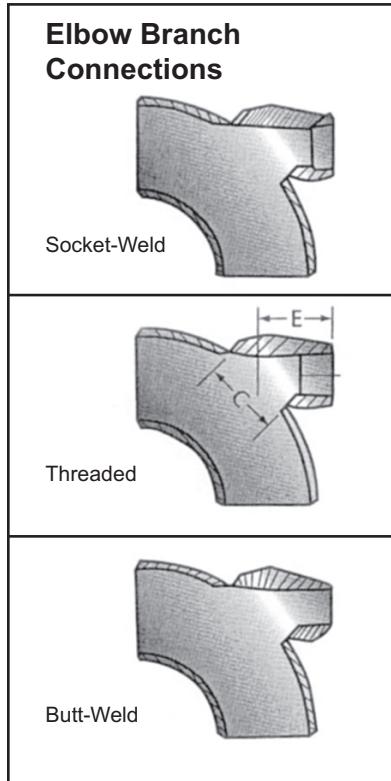


STAINLESS STEEL BRANCH CONNECTIONS ELBOW & LATERALS

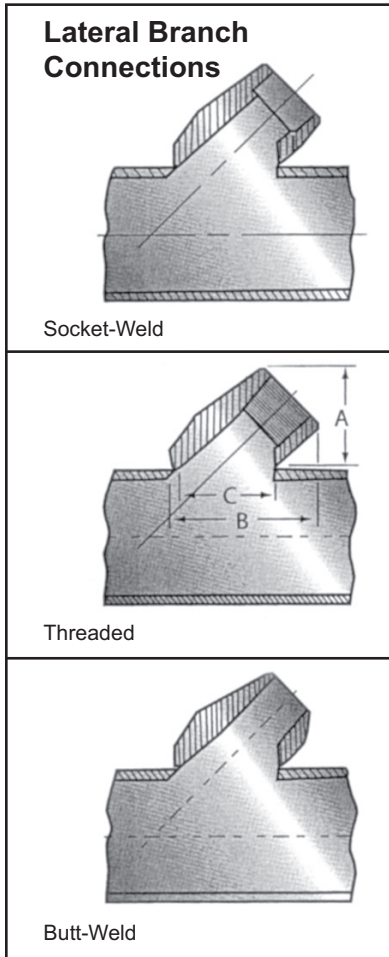


*Nominal Elbow Size Inches	Outlet Size Inches	Dimensions			
		3000# Threaded & Socket Weld Std. & XS Butt-Weld		6000# Threaded & Socket Weld Sch. 160 & XXS Butt-Weld	
		C	E	C	E
36-1.25	.25	1.50	1.59	1.50	1.59
36-1.25	.38	1.50	1.59	1.50	1.59
36-1.25	.50	1.50	1.59	1.72	1.88
36-1.25	.75	1.72	1.88	2.25	2.25
36-2.00	1.00	2.25	2.25	2.88	2.50
36-2.00	1.25	2.88	2.50	3.12	2.69
36-2.00	1.50	3.12	2.69	4.19	3.25
36-3.00	2.00	4.19	3.25		
Order to Specific Elbow Sizes	**2.25	4.19	3.25		
	**3.00	5.06	3.88		
	**4.00	6.62	4.81		
	**6.00	9.38	6.50		
	**8.00	13.31	8.06		
	**10.00	17.03	10.38		
	**12.00	19.62	11.12		

Notes applying to Elbow B.C. and Lateral B.C.
 Socket Dimensions to ANSI B16.11
 Butt-welding End Dimensions to ANSI B16.9 & ANSI B16.25
 * Each Elbow B.C. 2" and smaller is uniquely designated to fit all the elbow sizes shown. The complete size range interchangeably is so marked on the fitting.

** Available as Butt-welding outlets only.
 Alloy, stainless & other materials available from stock.
 Schedule 160 Butt-weld available 6" and smaller.
 XXS Butt-weld available 2" and smaller.

STAINLESS STEEL BRANCH CONNECTIONS ELBOW & LATERALS



Also Available for run sizes through 36"
 ** Available as butt-weld outlets only.

Nominal Run Pipe Size Inches	Outlet Size Inches	Dimensions					
		3000 # Threaded and Socketweld Std. and XS Butt-Weld			6000# Threaded and Socketweld Sch. 160 and XXS Butt-Weld		
		A	B	C	A	B	C
2.50-1.25 12.00-3.00	.25 .25	1.56 1.56	2.31 2.31	1.44 1.44	1.56 1.56	2.31 2.31	1.44 1.44
2.50-1.25 12.00-3.00	.38 .38	1.56 1.56	2.31 2.31	1.44 1.44	1.56 1.56	2.31 2.31	1.44 1.44
2.50-1.25 12.00-3.00	.50 .50	1.56 1.56	2.31 2.31	1.44 1.44			
1.50-1.25 5.00-2.00 12.00-6.00	.50 .50 .50				1.81 1.81 1.81	2.75 2.75 2.75	1.75 1.75 1.75
1.50-1.25 5.00-2.00 12.00-6.00	.75 .75 .75	1.81 1.81 1.81	2.75 2.75 2.75	1.75 1.75 1.75			
2.50-2.00 5.00-3.00 12.00-6.00	.75 .75 .75				2.12 2.12 2.12	3.25 3.25 3.25	2.12 2.12 2.12
2.50-2.00 5.00-3.00 12.00-6.00	1.00 1.00 1.00	2.12 2.12 2.12	3.25 3.25 3.25	2.12 2.12 2.12	2.50 2.50 2.50	3.81 3.81 3.81	2.62 2.62 2.62
2.50-2.00 5.00-3.00 12.00-6.00	1.25 1.25 1.25	2.50 2.50 2.50	3.81 3.81 3.81	2.62 2.62 2.62	2.75 2.75 2.75	4.25 4.25 4.25	3.00 3.00 3.00
2.50-2.00 5.00-3.00 12.00-6.00	1.50 1.50 1.50	2.75 2.75 2.75	4.25 4.25 4.25	3.00 3.00 3.00			
5.00-4.00 8.00-6.00 12.00-10.00	1.50 1.50 1.50				3.38 3.38 3.38	5.38 5.38 5.38	4.12 4.12 4.12
5.00-4.00 8.00-6.00 12.00-10.00	2.00 2.00 2.00	3.38 3.38 3.38	5.38 5.38 5.38	4.12 4.12 4.12			
Order to Specific Run Pipe Sizes	**2.50	3.12	5.25	4.19			
	**3.00	3.19	6.25	4.94			
	**4.00	4.75	7.88	6.44			
	**6.00	6.50	10.69	9.00			
	**8.00	8.00	14.25	12.31			
	**10.00	10.00	17.69	15.38			
**12.00	11.38	20.56	18.38				