

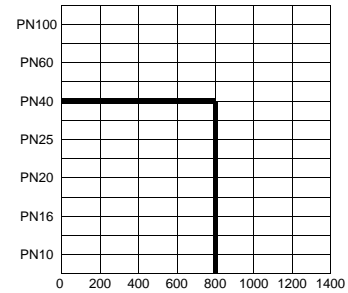
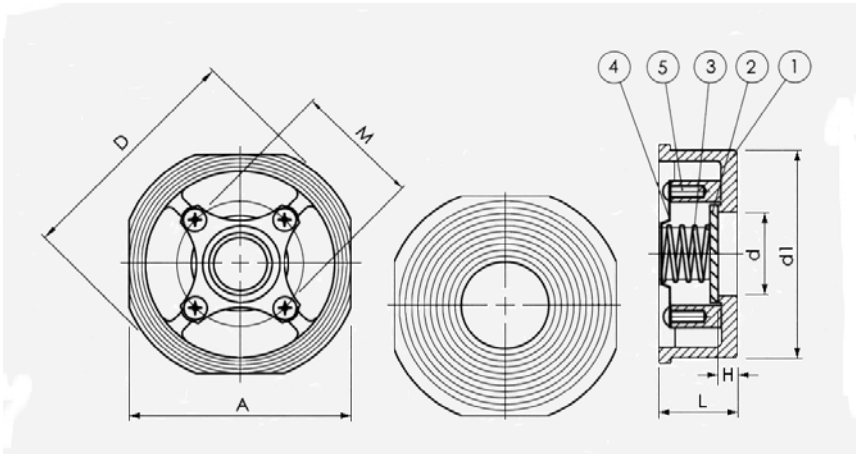
**PN40 STAINLESS STEEL WAFER CHECK VALVE**

**FIG. 150WC** Class 150 (PN40) 316 Stainless steel body & trim, metal seats.



**Materials:**

No.	Part Name	Specification
1	Body	ASTM A351-CF8M
2	Disc	ASTM A351-CF8M
3	Spring	ANSI 316
4	Cap	ANSI 316
5	Screw	ANSI 316



**Dimensions:**

Size		d		d1		A		D		L		M		H		Weight	
in	mm	in	mm	in	mm	in	mm	in	mm	in	mm	in	mm	in	mm	lb	kg
½	15	.59	15	1.69	43	1.77	45	2.09	53	.65	16.5	1.09	27.7	.17	4.4	.26	0.12
¾	20	.79	20	2.09	53	2.17	55	2.48	63	.77	19.5	1.35	34.2	.19	4.8	.44	0.20
1"	25	1.0	25.4	2.48	63	2.56	65	2.87	73	.87	22	1.55	39.4	.21	5.4	.66	0.30
1¼	32	1.18	30	2.95	75	3.07	78	3.31	84	1.10	28	1.72	43.7	.24	6.0	.88	0.40
1½	40	1.5	38	3.38	86	3.46	88	3.70	94	1.26	32	2.13	54.0	.26	6.6	1.32	0.60
2"	50	1.85	47	3.78	96	3.86	98	4.21	107	1.57	40	2.50	63.5	.28	7.1	1.76	0.80
2½	65	2.46	62.5	4.53	115	4.64	118	4.96	126	1.81	46	3.26	82.8	.31	7.8	3.30	1.50
3"	80	3.03	77	5.12	130	5.28	134	5.67	144	1.97	50	3.89	98.8	.33	8.4	4.18	1.90
4"	100	3.78	96	5.94	151	6.06	154	6.46	164	2.36	60	4.72	119.8	.35	9.0	7.26	3.30