

200# WOG STAINLESS STEEL GLOBE VALVE

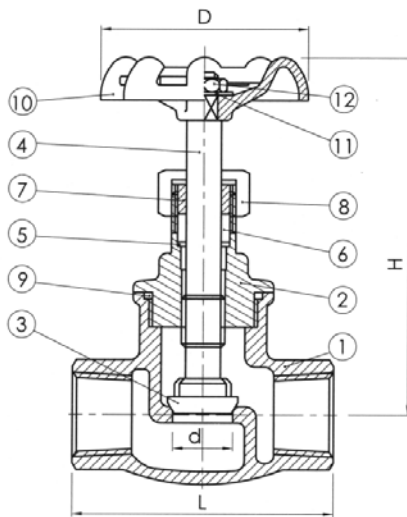
FIG. T2GL



Marking: MSS SP-25
 Ends: MSS SP-110, ANSI B2.1
 Size range: 1/4" to 2"
 Pressure 1/4" to 2": 200 psi (WOG)
 Max. Temperature: 350 °F
 Swivel Disc, Integral Seat
 Full Port

Materials:

| No. | Part Name | Specification |
|-----|---------------|----------------|
| 1 | Body | ASTM A351-CF8M |
| 2 | Bonnet | ASTM A351-CF8M |
| 3 | Disc | AISI 316 |
| 4 | Stem | AISI 316 |
| 5 | Retainer Ring | AISI 316 |
| 6 | Packing | PTFE |
| 7 | Gland | AISI 316 |
| 8 | Packing Nut | ASTM A351-CF8M |
| 9 | Gasket | PTFE |
| 10 | Handwheel | Cast Iron |
| 11 | Name Plate | Aluminum |
| 12 | Handwheel Nut | AISI 316 |



Dimensions:

| Size | | d | | L | | D | | H Open | |
|--------|----|------|----|------|-----|------|-----|--------|-----|
| in | mm | in | mm | in | mm | in | mm | in | mm |
| 1/4" | 8 | .39 | 10 | 2.05 | 52 | 2.36 | 60 | 4.02 | 102 |
| 3/8" | 10 | .47 | 12 | 2.05 | 52 | 2.36 | 60 | 4.02 | 102 |
| 1/2" | 15 | .59 | 15 | 2.05 | 52 | 2.36 | 60 | 4.02 | 102 |
| 3/4" | 20 | .79 | 20 | 2.36 | 60 | 2.76 | 70 | 4.45 | 113 |
| 1" | 25 | .98 | 25 | 2.83 | 72 | 2.76 | 70 | 4.84 | 123 |
| 1 1/4" | 32 | 1.26 | 32 | 3.15 | 80 | 3.15 | 80 | 5.83 | 148 |
| 1 1/2" | 40 | 1.57 | 40 | 3.54 | 90 | 3.54 | 90 | 6.30 | 160 |
| 2" | 50 | 1.97 | 50 | 4.17 | 106 | 3.94 | 100 | 7.09 | 180 |