

BRASS BALL VALVES

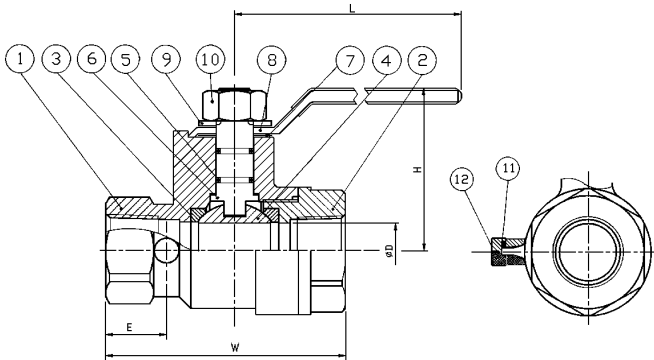
FIG: 320T- E 2 piece, Full Port Ball valve, 600# WOG, NPT ends, PTFE seats c/w Drain



150# SWP, 600# WOG
Meets MSS SP-110 Specifications

Materials:

No.	Part Name	Qty	Specification
1	Body	1	Brass 59 ASTM C37800
2	End Cap	1	Brass 59 ASTM C37800
3	Seat Rings	2	PTFE
4	Ball (Chrome Plated)	1	Brass 59 ASTM C37800
5	O-Rings	2	NBR
6	Stem	1	Brass 59 ASTM C37800
7	Friction Washer	1	PTFE
8	Handle	1	Steel
9	Spring Washer	1	Steel
10	Nut	1	Steel
11	Washer	1	NBR
12	Cap	1	Brass 59 ASTM C37800



Dimensions:

Size	D	W	H	E	L	Wt. lb
1/2"	14	56.4	50	16	85	.51
3/4"	19	63.6	54.5	18	95	.73
1"	24	75.2	62.5	21	115	1.19

PRESSURE/TEMPERATURE RATING

