

ANSI CLASS 150 STAINLESS STEEL SWING CHECK VALVE

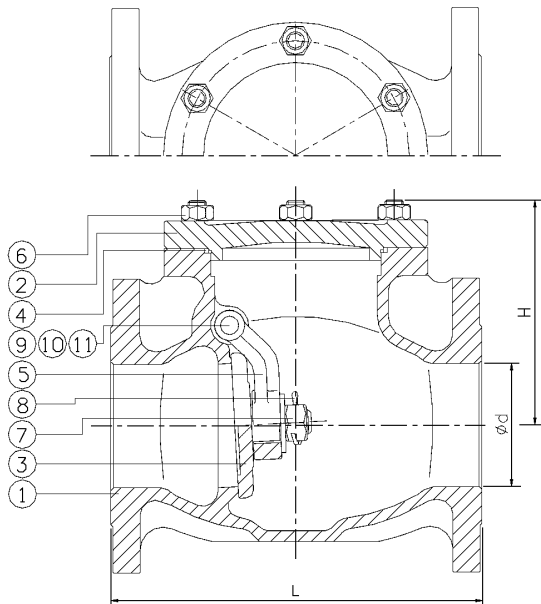
FIG. 150SC Class 150, Flanged ends, Bolted cover, 316 Stainless steel body & trim.



Flange dimensions: ANSI B16.5
 Face-to-Face dimensions: ANSI B16.10
 Wall thickness: ANSI B16.34
 API 598

Materials:

No.	Part Name	Specification
1	Body	ASTM A351-CF8M
2	Cover	ASTM A351-CF8M
3	Disc	ASTM A351-CF8M
4	Gasket	15% RPTFE
5	Arm	ASTM A351-CF8M
6	Studs	ASTM A193-B8
7	Nuts	ASTM A194-8
8	Cotter pin	AISI 316
9	Hinge pin	AISI 316
10	Plug gasket	PTFE
11	Plug	AISI 316



Dimensions:

Size		L		H		i d		Weight	
in	mm	in	mm	in	mm	in	mm	lb	kg
1"	25	5.32	135	2.76	70	.98	25	9	4
1½"	40	6.50	165	4.1	104	1.57	40	17	7.5
2"	50	8.00	203	5.32	135	1.96	50	23	10.5
2½"	65	8.50	216	6.5	165	2.56	65	31	14
3"	80	9.50	241	7.09	180	3.15	80	44	20
4"	100	11.50	292	8.27	210	3.94	100	73	33
6"	150	14.00	356	10.4	265	5.91	150	119	54
8"	200	19.50	495	12.6	320	7.87	200	180	82
10"	250	24.50	622	14	355	9.84	250	304	138
12"	300	27.50	698	16.1	410	11.8	300	548	249