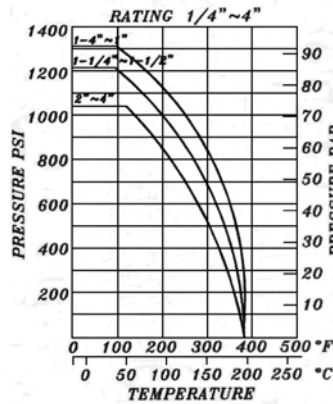
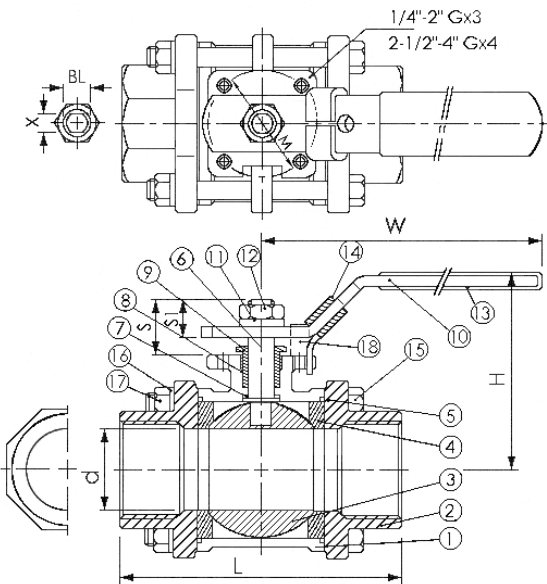


## 1500 WOG - 3 PIECE FULL PORT STAINLESS STEEL BALL VALVE

**FIG. V3 & V3S**



Valves - Flanged, Threaded & Weld: ANSI B16.34  
 Ends: MSS SP-110, ASME B16.25, MSS SP-72  
 Marking: MSS SP-25  
 Testing: API 598  
 Threaded ends: ANSI B1.20.1  
 Buttweld ends: ASME B16.25  
 Actuator Mounting Flange: ISO 5211  
 Size range: 1/4" to 3"  
 Pressure 1/4" to 2": 1500 psi (WOG)  
 Pressure 2 1/2" to 3": 1000 psi (WOG)



**Materials:**

No.	Part Name	Specification
1	Body	ASTM A351-CF8M
2	End Cap	ASTM A351-CF8M
3	Ball	ASTM A351-CF8M
4	Seat	15% RPTFE
5	Gasket	15% RPTFE
6	Stem	ANSI 316
7	Thrust Washer	PTFE
8	Stem Packing	PTFE
9	Gland Nut	ANSI 304
10	Handle	ANSI 304
11	Stem Washer	ANSI 304
12	Stem Nut	ANSI 304
13	Handle Cover	Vinyl
14	Lock Device	ANSI 304
15	Bolt	ANSI 304
16	Spring Washer	ANSI 304
17	Hex Nut	ANSI 304
18	Stop Pin	ANSI 304

**Options:**

- V: Vented ball
- U: UNC or UNF threads for mounting pad

**Dimensions:**

Size		i d		L		L1		X		S		S1		BL	ISO 5211		H		W		Weight	
in	mm	in	mm	in	mm	in	mm	in	mm	in	mm	in	mm	in	M	G	in	mm	in	mm	lbs	kgs
1/4"	8	.46	11.6	2.56	65	2.56	65	0.20	5	.65	16.5	.4	10.2	5/16"	36	M5	2.01	51	4.13	105	.97	.44
3/8"	10	.5	12.7	2.56	65	2.56	65	0.20	5	.65	16.5	.47	12	5/16"	36	M5	2.01	51	4.13	105	.95	.43
1/2"	15	.59	15	2.6	66	2.91	74	0.20	6.5	.73	18.5	.5	12.8	3/8"	36	M5	2.17	55	4.92	125	1.47	.67
3/4"	20	.79	20	3.19	81	3.27	83	0.24	6.5	.79	20	.53	13.5	3/8"	36	M5	2.36	60	4.92	125	1.94	.88
1"	25	.98	25	3.74	95	3.70	94	0.31	8	.94	24	.63	16	7/16"	42	M5	2.91	74	6.3	160	2.77	1.26
1 1/4"	32	1.26	32	4.29	109	4.13	105	0.31	8	.94	24	.63	16	7/16"	50	M6	3.15	80	6.3	160	4.49	2.04
1 1/2"	40	1.5	38	5.08	129	4.72	120	0.31	9	1.02	26	.67	17	1/2"	50	M6	3.62	92	7.48	190	6.16	2.8
2"	50	2	50.8	5.91	150	5.98	152	0.31	9	1.02	26	.67	17	1/2"	70	M8	3.98	101	7.48	190	9.44	4.29
2 1/2"	65	2.56	65	7.09	180	7.32	186	0.47	12	1.61	41	1.16	29.5	3/4"	70	M8	5.12	130	9.65	245	18.88	8.58
3"	80	3.15	80	8.11	206	8.78	223	0.47	12	1.61	41	1.16	29.5	3/4"	102	M10	5.59	142	9.65	245	31.13	14.15